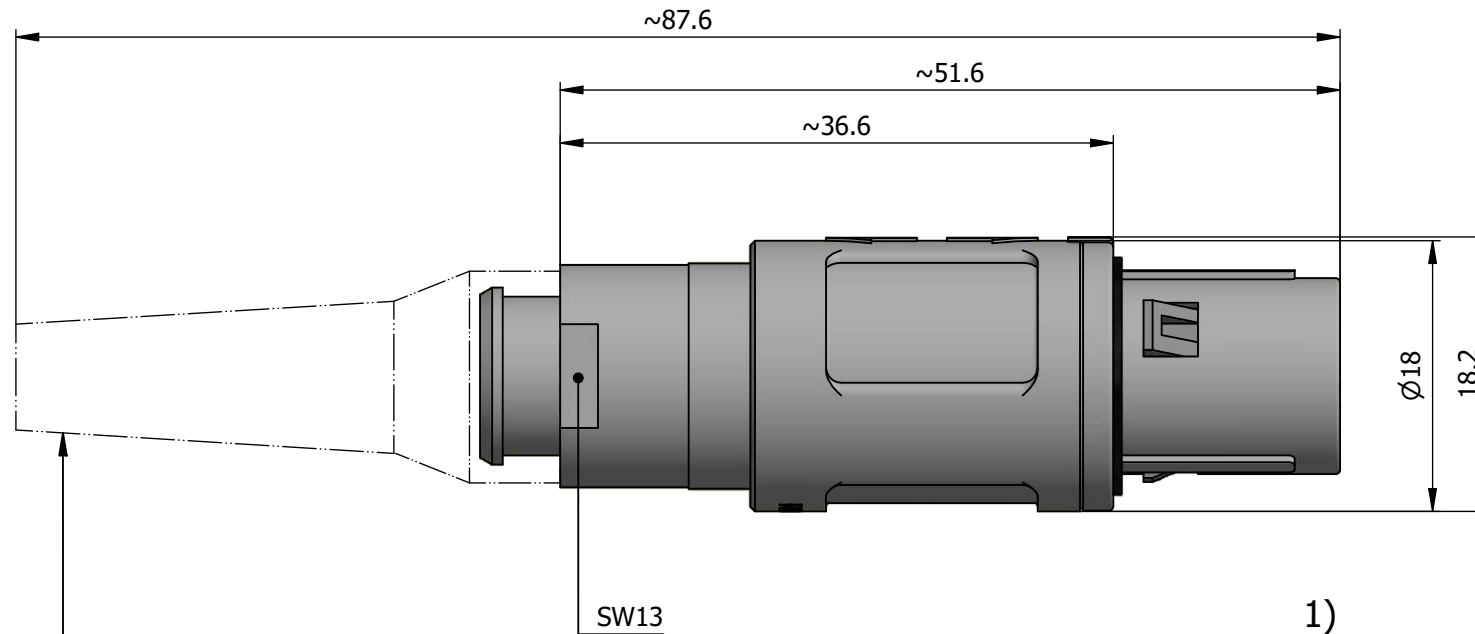
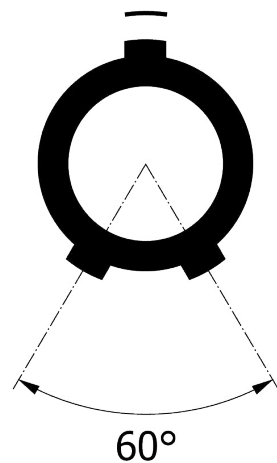
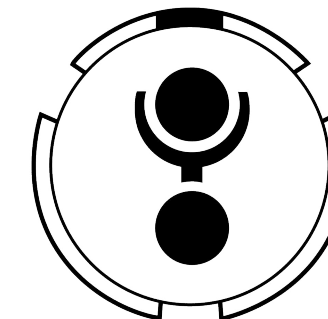


All dimensions are in millimeters (mm)

Alignment Key  
Front View



Insert Configuration  
Rear View



bend relief has to be ordered separately

**Note:**

1) This picture is generic and for illustrative purposes only, and may show different keying, materials, colour, finish, and contact configuration. Minor shape or feature variations to actual item may be present.

All additional information are documented on the datasheet (See below link or QR Code)  
[www.lemo.com/pdf/CFB.M02.GLA.C52GZ.pdf](http://www.lemo.com/pdf/CFB.M02.GLA.C52GZ.pdf)

Model	Alignment Key	Insert Config.	Housing Insulator Contact	Collet Type	Cable Ø	Front Ring Color Variant
CFB	.M02	.GLA	.C52	GZ		

Datasheet



**Straight plug with cable collet, Water-resistant**  
Series 2P



Redel SA  
Rue du canal 2  
1450 Ste-Croix - SWITZERLAND

Tel. (+41 24) 455 25 00  
Fax. (+41 24) 455 25 01

CD

Drawn	16.09.2022	MARI / MARI
Checked	16.09.2022	OBAR
Modified	00	16.09.2022 / MARI
DO NOT SCALE DRAWING		

**CFB.M02.GLA.C52GZ**