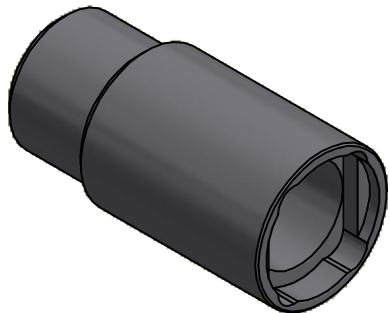
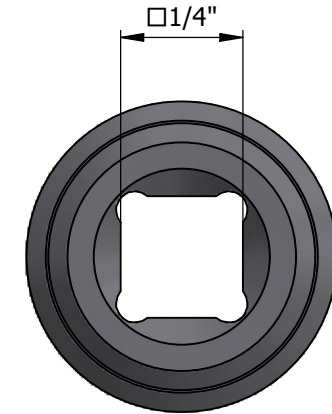
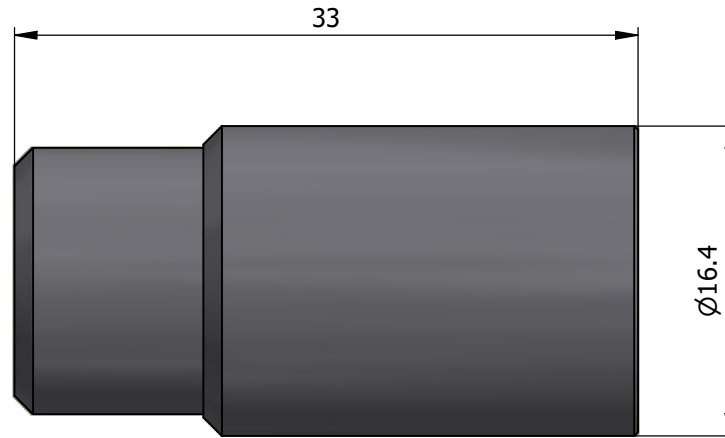
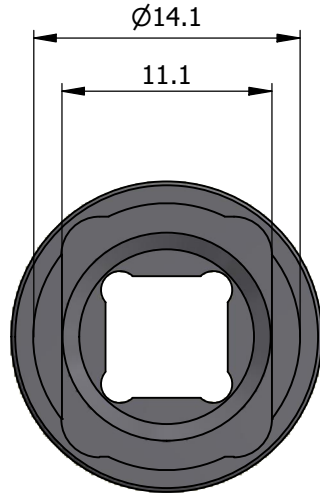


All dimensions are in millimeters (mm)



All additional information are documented on the datasheet (See below link or QR Code)
www.lemo.com/pdf/DCM.65.110.AZ.pdf

<p>Datasheet</p> 	<p>Torque wrench bit for conical nuts MM</p>		<p>Drawn 16.11.2023 MARI/OBAR</p>
			<p>Checked 22.04.2025 OBAR</p>
	<p>Modified 02 22.04.2025/MARI</p>	<p>CD</p>	
	<p>DO NOT SCALE DRAWING</p>		<p>DCM.65.110.AZ</p>



LEMO SA
 Chemin des Champs-Courbes 28
 1024 Ecublens - SWITZERLAND

Tel. (+41 21) 695 16 00
 email : info@lemo.com
 www.lemo.com

CD

DCM.65.110.AZ