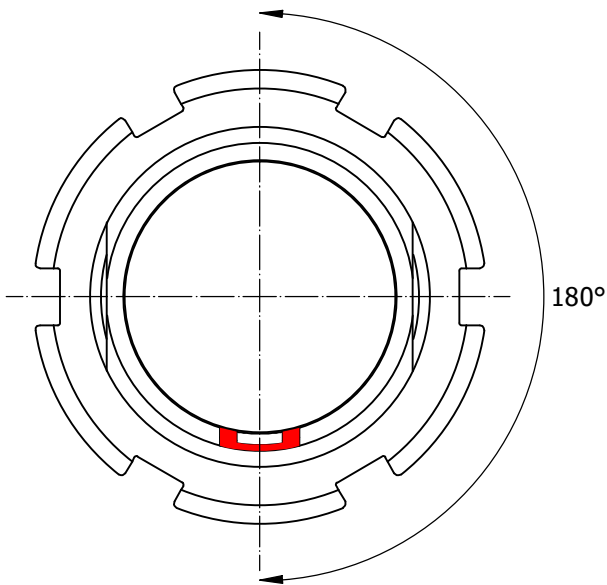
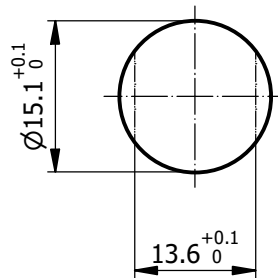


All dimensions are in millimeters (mm)

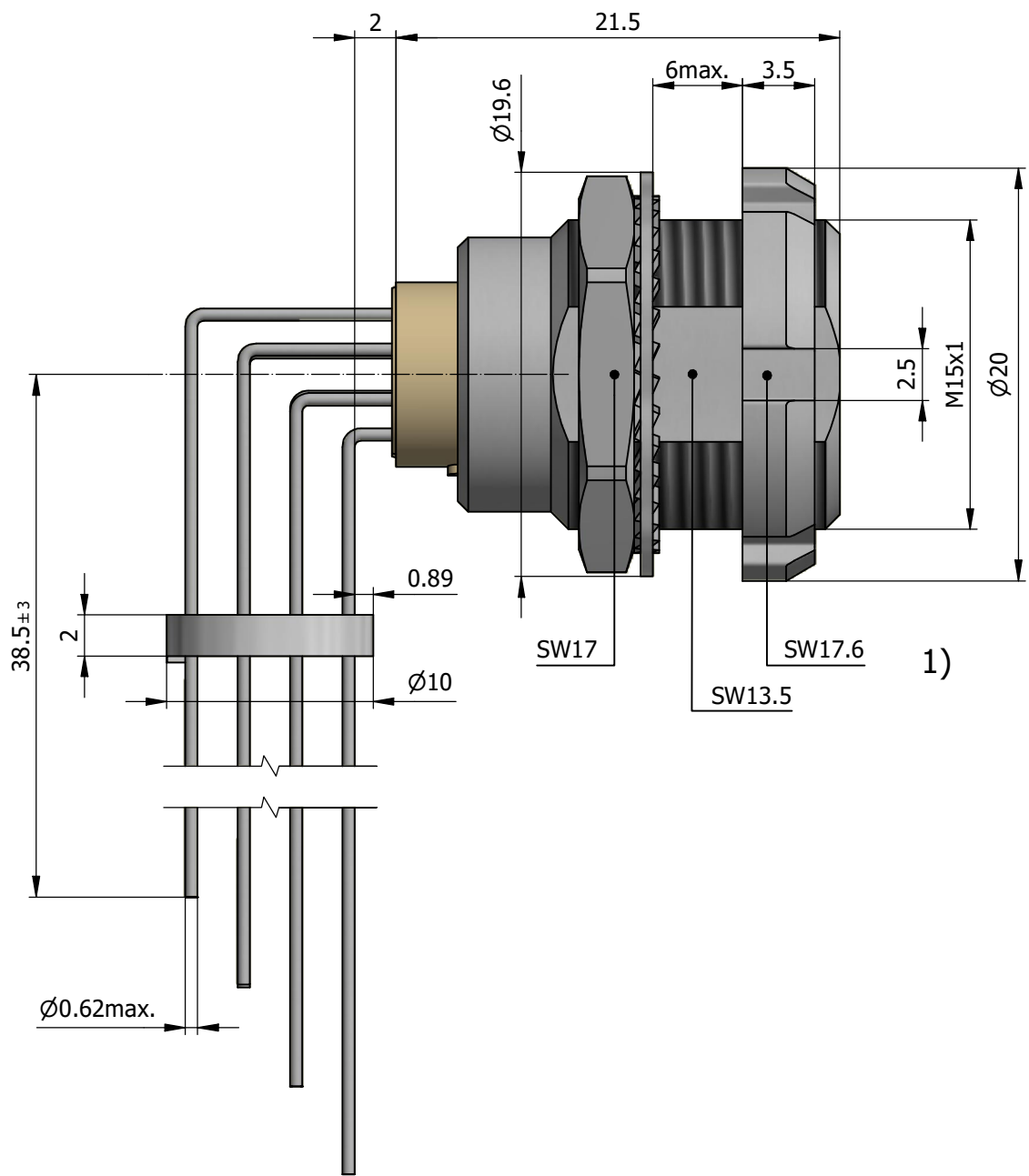
Alignment Key
Front View



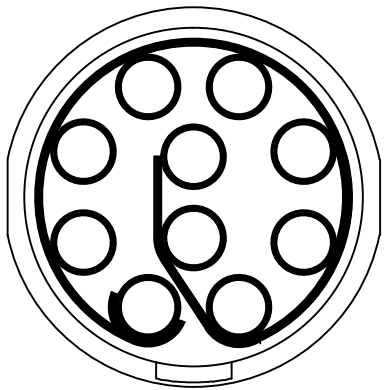
Recommended Panel Cut-Out



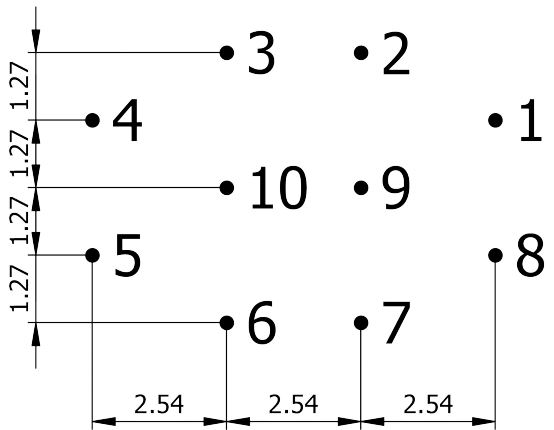
Mounting nut torque (Nm)
Metal shell = 6.0
Plastic shell = 0.8



Insert Configuration
Rear View



Recommended PCB Layout
PCB Top View



Note:

1) This picture is generic and for illustrative purposes only, and may show different keying, materials, colour, finish, and contact configuration. Minor shape or feature variations to actual item may be present.

All additional information are documented on the datasheet (See below link or QR Code)
www.lemo.com/pdf/ECG.2B.310.CLV18.pdf

Model Alignment Key Series Insert Config. Housing Insulator Contact Variant
ECG.2B.310.CLV18

Datasheet



Fixed socket with two nuts with elbow contacts, for PCB (back panel mounting)

Series 2B



Tel. (+41) 21 695 16 00
email : info@lemo.com
www.lemo.com

CD

Drawn	16.09.2025	JMIG / OBAR
Checked	07.01.2026	OBAR
Modified	01	07.01.2026 / MARI
DO NOT SCALE DRAWING		

ECG.2B.310.CLV18