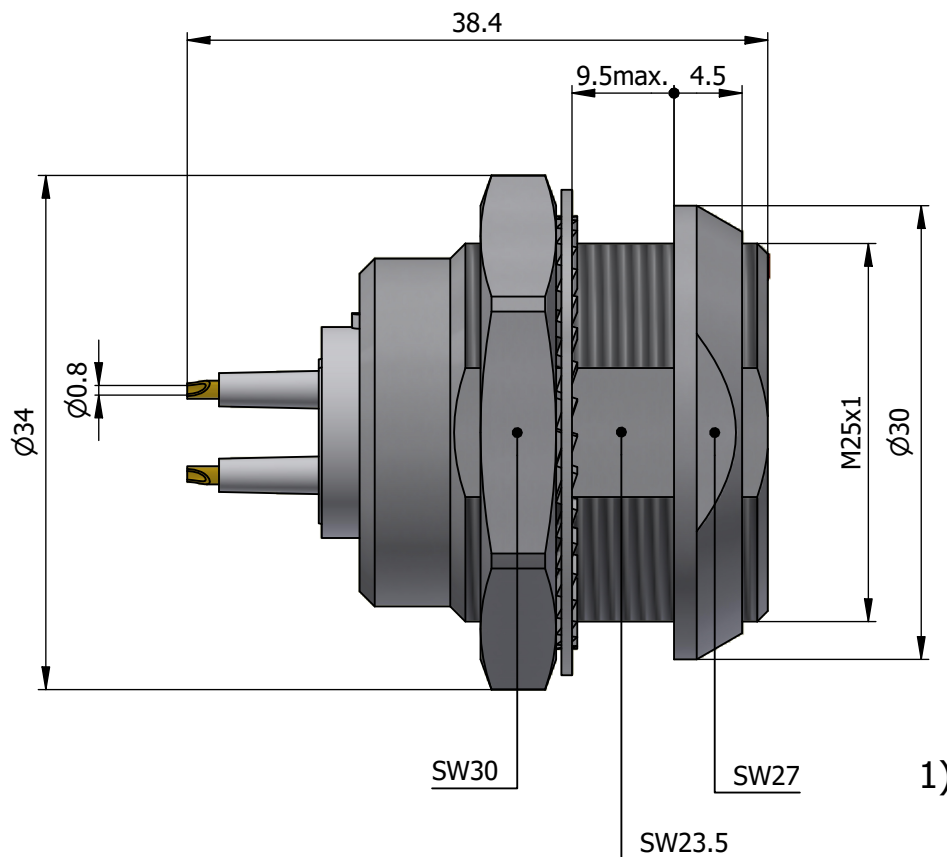
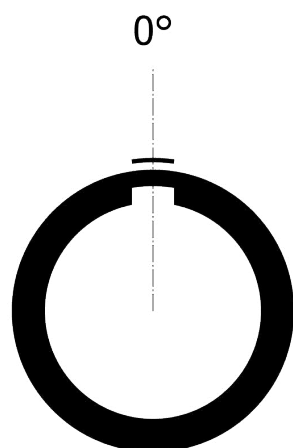
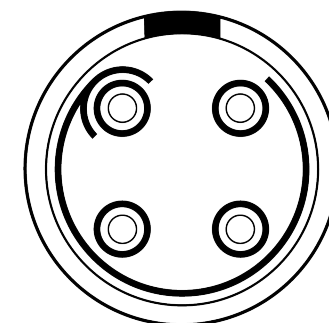


All dimensions are in millimeters (mm)

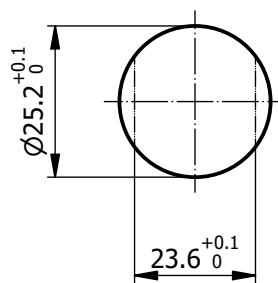
Alignment Key
Front View



Insert Configuration
Rear View



Recommended Panel Cut-Out



Mounting nut torque (Nm)
Metal shell = 12.0
Plastic shell = 5.0

Note:

1) This picture is generic and for illustrative purposes only, and may show different keying, materials, colour, finish, and contact configuration. Minor shape or feature variations to actual item may be present.

All additional information are documented on the datasheet (See below link or QR Code)
www.lemo.com/pdf/ECG.4B.464.CNLY.pdf

EXCLUSIVITY
Please contact
sales-hq@lemo.com
for more informations

Model Alignment Key Series Insert Config. Housing Insulator Contact Variant
ECG.4B.464.CNLY

Datasheet 	Fixed socket with two nuts (back panel mounting) Series 4B		Drawn 23.07.2021 MARI/OBAR
			Checked 24.04.2024 OBAR
			Modified 01 24.04.2024/JMIG
LEMO SA Chemin des Champs-Courbes 28 1024 Ecublens - SWITZERLAND			Tel. (+41 21) 695 16 00 email : info@lemo.com www.lemo.com
CD			ECG.4B.464.CNLY