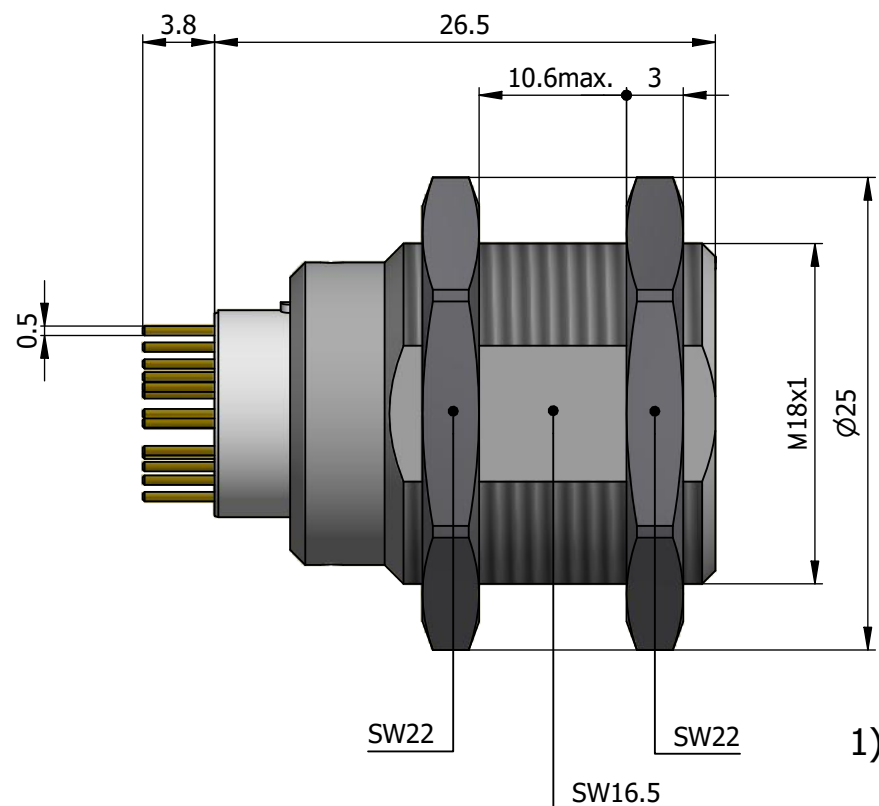
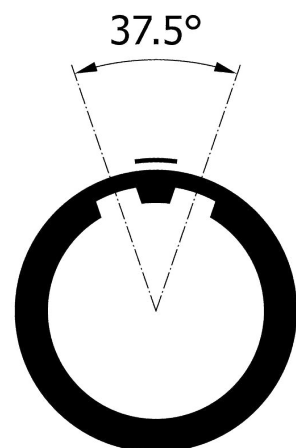
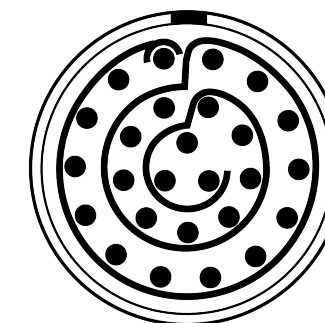


All dimensions are in millimeters (mm)

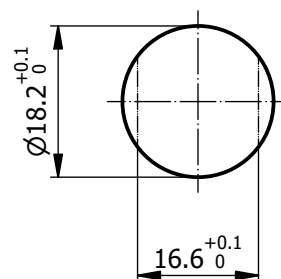
Alignment Key  
Front View



Insert Configuration  
Rear View

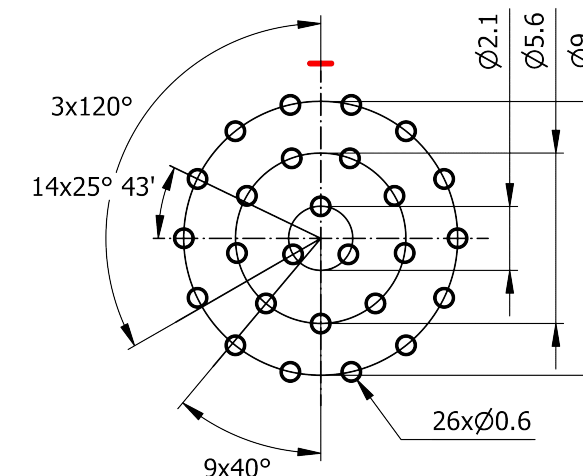


Recommended Panel Cut-Out



Mounting nut torque (Nm)  
Metal shell = 9.0  
Plastic shell = 1.0

Recommended PCB Layout  
PCB Top View



**Note:**

1) This picture is generic and for illustrative purposes only, and may show different keying, materials, colour, finish, and contact configuration. Minor shape or feature variations to actual item may be present.

All additional information are documented on the datasheet (See below link or QR Code)  
[www.lemo.com/pdf/ECJ.3B.326.VEDQ.pdf](http://www.lemo.com/pdf/ECJ.3B.326.VEDQ.pdf)

**PRELIMINARY**

L0-L1-L2 Status  
Drawing subject to change

Model Alignment Key Series Insert Config. Housing Insulator Contact Variant  
ECJ . 3B . 326 . VEDQ

Datasheet



**Fixed socket with two nuts for PCB (back panel mounting)**  
Series 3B

**LEMO**  
LEMO SA  
Chemin des Champs-Courbes 28  
1024 Ecublens - SWITZERLAND

Tel. (+41 21) 695 16 00  
email : [info@lemo.com](mailto:info@lemo.com)  
[www.lemo.com](http://www.lemo.com)

CD

Drawn	21.07.2021	MARI / OBAR
Checked	23.07.2021	CDE
Modified	00	21.07.2021 / MARI
DO NOT SCALE DRAWING		

**ECJ.3B.326.VEDQ**