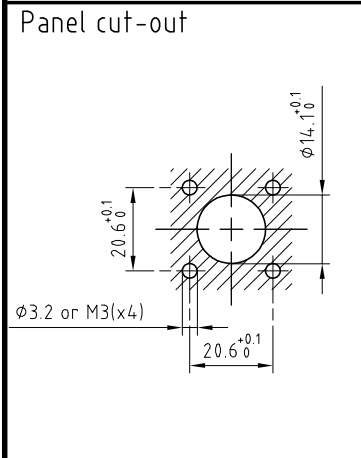


Outer shell	: Aluminium (AA 6262A) or (AA 6023)	Anthracite nickel
Earthing crown	: Bronze (UNS C54400)	Gold plated (ISO 27874)
Insulator	: PEEK	-
Female contact	: Bronze (UNS C54400)	Gold plated (ISO 27874)
Clip	: Stainless steel	-
O-rings	: Viton (FPM)	-



Crimping tool	: DPC.91.701.V
Extractor	: DCF.93.070.4LT
Female contact	: EGW.TM.655.ZZM
Female positioner	: DCE.91.07T.5MVM
Female refention testing tool	: DCK.91.071.0LRM
Female insertion tool	: DCV.07.05M.LA

**Fixed socket , square flange , with keys (W) ,
4 holes fixing .
Series 4M , multipole (48)**

ETUDE N° E6343-E6365-E6364

Echelle —	Dessiné	09.10.2018	OVU / NHA
	Contrôle	09.10.2018	NHA / ATVI
	Modif.	00	09.10.2018/ OVU