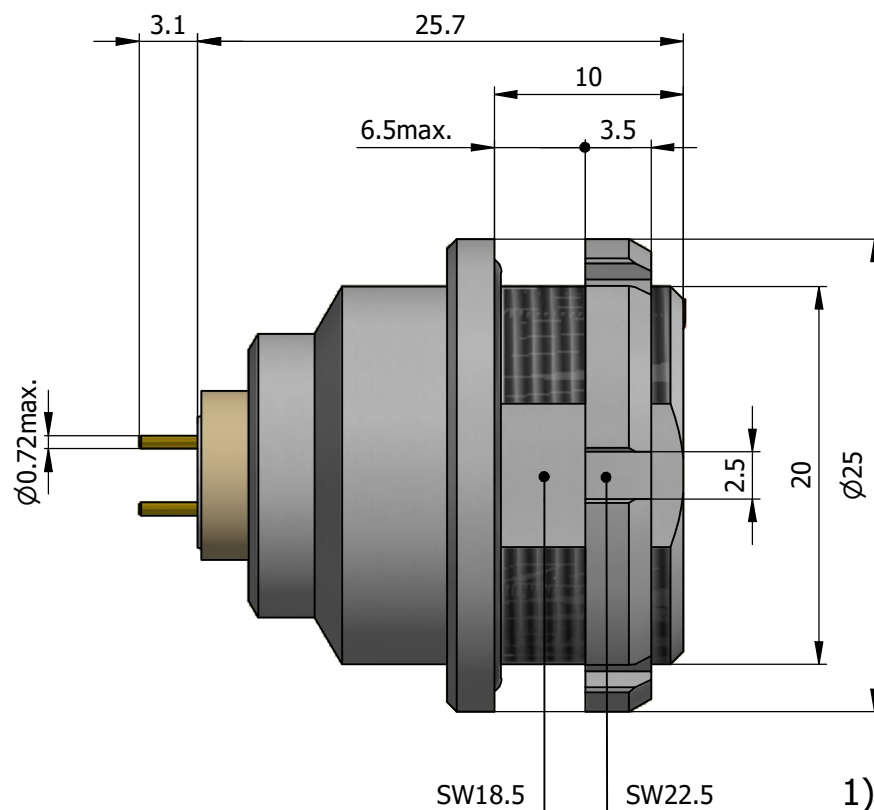
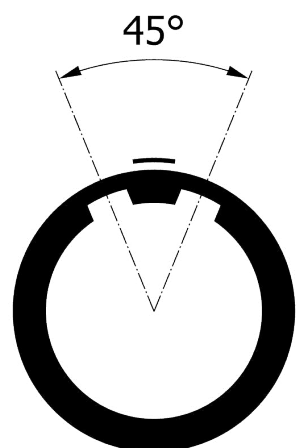
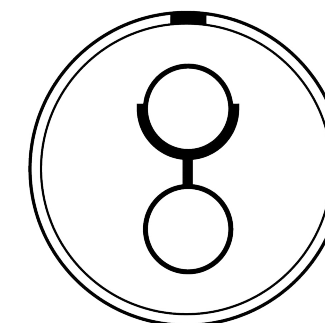


All dimensions are in millimeters (mm)

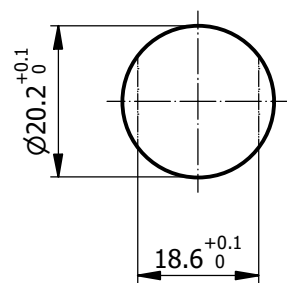
Alignment Key  
Front View



Insert Configuration  
Rear View

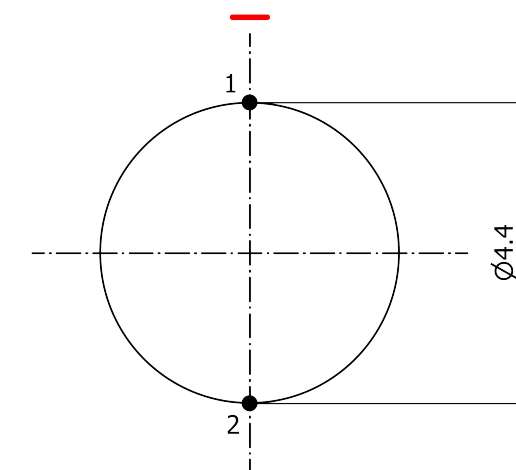


Recommended Panel Cut-Out



Mounting nut torque (Nm)  
Metal shell = 9.0

Recommended PCB Layout  
PCB Top View



**Note:**

1) This picture is generic and for illustrative purposes only, and may show different keying, materials, colour, finish, and contact configuration. Minor shape or feature variations to actual item may be present.

All additional information are documented on the datasheet (See below link or QR Code)  
[www.lemo.com/pdf/EEB.2K.302.CLN.pdf](http://www.lemo.com/pdf/EEB.2K.302.CLN.pdf)

Model Alignment Key Series Insert Config. Housing Insulator Contact Variant  
**EEB.2K.302.CLN**

Datasheet



**Fixed socket, nut fixing, for PCB (back panel mounting)**  
Series 2K

**LEMO**  
LEMO SA  
Chemin des Champs-Courbes 28  
1024 Ecublens - SWITZERLAND

Tel. (+41) 21 695 16 00  
email : info@lemo.com  
www.lemo.com

CD

Drawn	14.09.2015	OVU/NHA
Checked	08.01.2026	OBAR
Modified	01	08.01.2026/MARI
DO NOT SCALE DRAWING		

**EEB.2K.302.CLN**