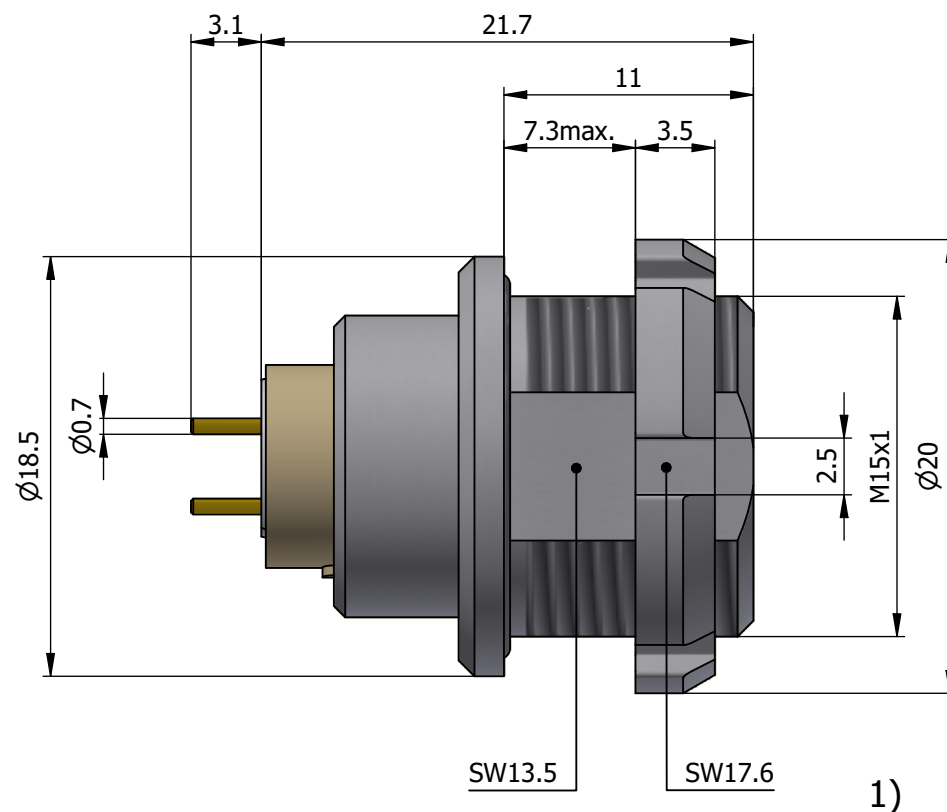
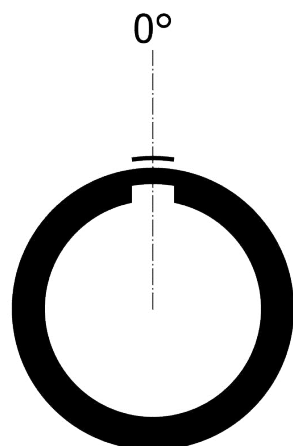
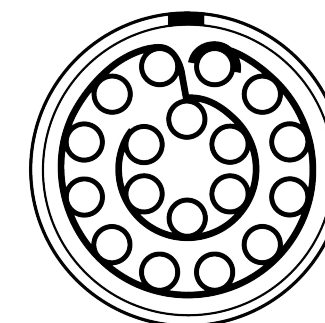


All dimensions are in millimeters (mm)

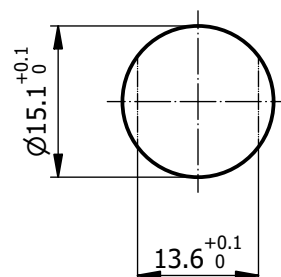
Alignment Key
Front View



Insert Configuration
Rear View

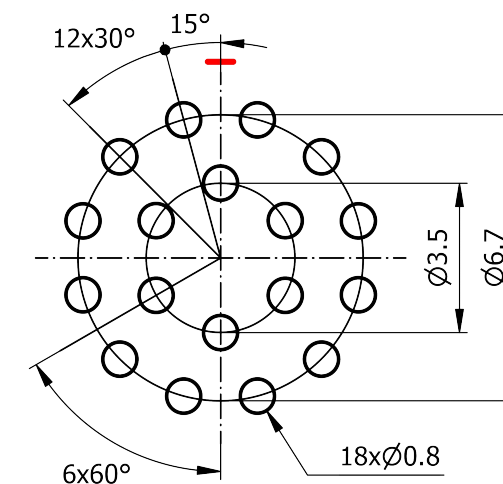


Recommended Panel Cut-Out



Mounting nut torque (Nm)
Metal shell = 6.0
Plastic shell = 0.8

Recommended PCB Layout
PCB Top View



Note:

1) This picture is generic and for illustrative purposes only, and may show different keying, materials, colour, finish, and contact configuration. Minor shape or feature variations to actual item may be present.

All additional information are documented on the datasheet (See below link or QR Code)
www.lemo.com/pdf/EEG.2T.318.CLN.pdf

PRELIMINARY

L0-L1-L2 Status
Drawing subject to change

Model Alignment Key Series Insert Config. Housing Insulator Contact Variant
EEG.2T.318.CLN

| | | | |
|--|---|--|-------------------------------|
| | Fixed socket, nut fixing, for PCB (back panel mounting) Series 2T | | Drawn 21.08.2024 TCIT / TCIT |
| | | | Checked 21.08.2024 OBAR |
| | | | Modified 00 21.08.2024 / TCIT |
| | | | DO NOT SCALE DRAWING |
| | LEMO SA Chemin des Champs-Courbes 28 1024 Ecublens - SWITZERLAND | Tel. (+41) 21 695 16 00 email : info@lemo.com www.lemo.com | CD |
| | | | EEG.2T.318.CLN |