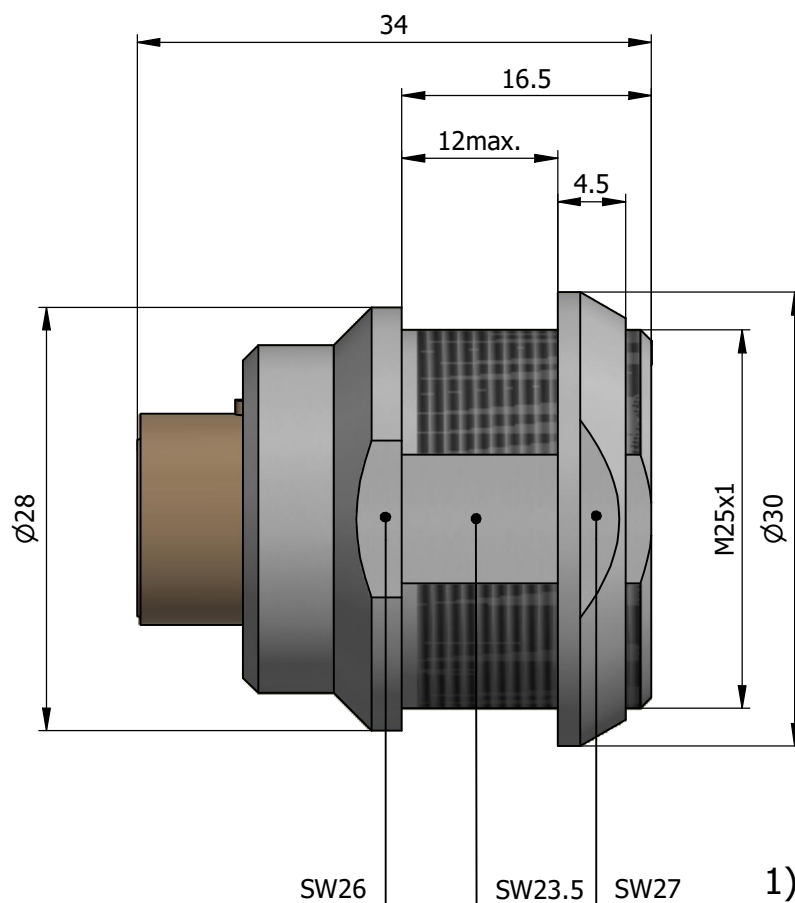
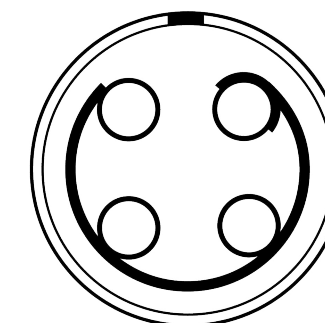


All dimensions are in millimeters (mm)

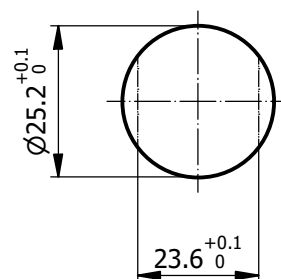
Alignment Key  
Front View



Insert Configuration  
Rear View



Recommended Panel Cut-Out



Mounting nut torque (Nm)  
Metal shell = 12.0  
Plastic shell = 5.0

**Note:**

1) This picture is generic and for illustrative purposes only, and may show different keying, materials, colour, finish, and contact configuration. Minor shape or feature variations to actual item may be present.

All additional information are documented on the datasheet (See below link or QR Code)  
[www.lemo.com/pdf/EEG.4B.304.CYM.pdf](http://www.lemo.com/pdf/EEG.4B.304.CYM.pdf)

Model: EEG  
Alignment Key: 4B  
Series: 304  
Insert Config.: CYM  
Housing: EEG  
Insulator: 4B  
Contact: 304  
Variant: CYM

Datasheet



**Fixed socket, nut fixing (back panel mounting)**

Series 4B

**LEMO**  
LEMO SA  
Chemin des Champs-Courbes 28  
1024 Ecublens - SWITZERLAND

Tel. (+41) 21 695 16 00  
email : info@lemo.com  
www.lemo.com

CD

Drawn	23.02.2024	JMIG / JMIG
Checked	21.01.2026	OBAR
Modified	02	21.01.2026 / JMIG
DO NOT SCALE DRAWING		

**EEG.4B.304.CYM**