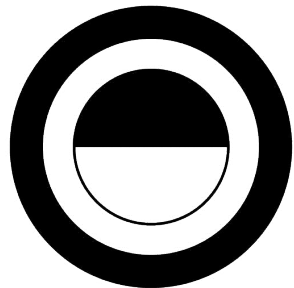
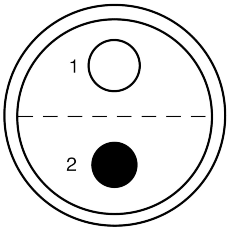


All dimensions are in millimeters (mm)

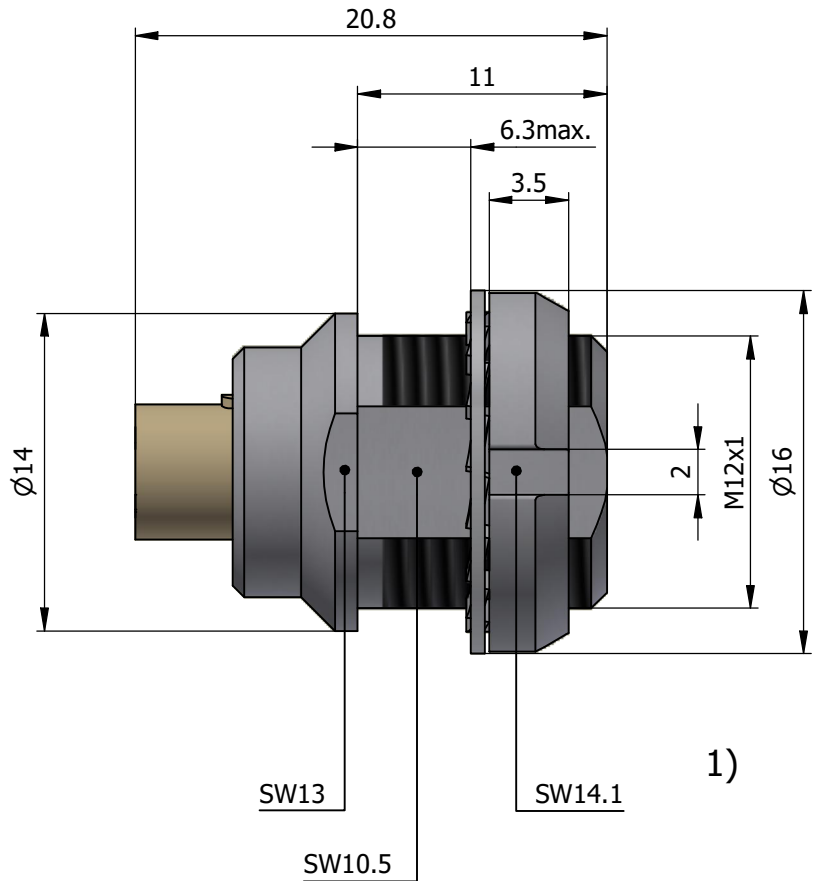
Alignment Key
Front View



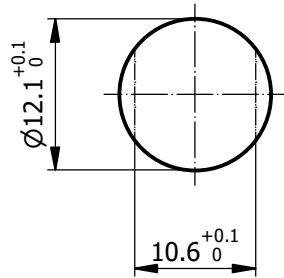
Insert Configuration
Rear View



Contact 1: Alumel (-)
Contact 2: Chromel (+)



Recommended Panel Cut-Out



Mounting nut torque (Nm)
Metal shell = 4.5
Plastic shell = 0.7

Note:

1) This picture is generic and for illustrative purposes only, and may show different keying, materials, colour, finish, and contact configuration. Minor shape or feature variations to actual item may be present.

All additional information are documented on the datasheet (See below link or QR Code)
www.lemo.com/pdf/EEP.1S.901.CYK.pdf

Model Alignment Key Series Insert Config. Housing Insulator Contact Variant
EEP.1S.901.CYK

Datasheet 	Fixed socket, nut fixing (back panel mounting) Series 1S		Drawn 08.02.2024 JMIG / JMIG
	 LEMO SA Chemin des Champs-Courbes 28 1024 Ecublens - SWITZERLAND		Checked 19.12.2024 OBAR
Tel. (+41) 21 695 16 00 email : info@lemo.com www.lemo.com		Modified 02 19.12.2024 / MARI	DO NOT SCALE DRAWING
CD		EEP.1S.901.CYK	