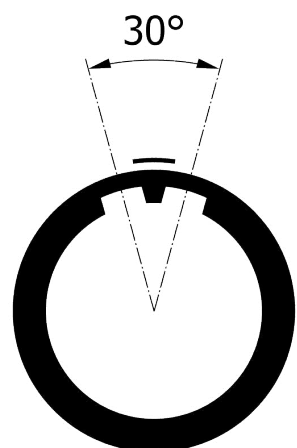
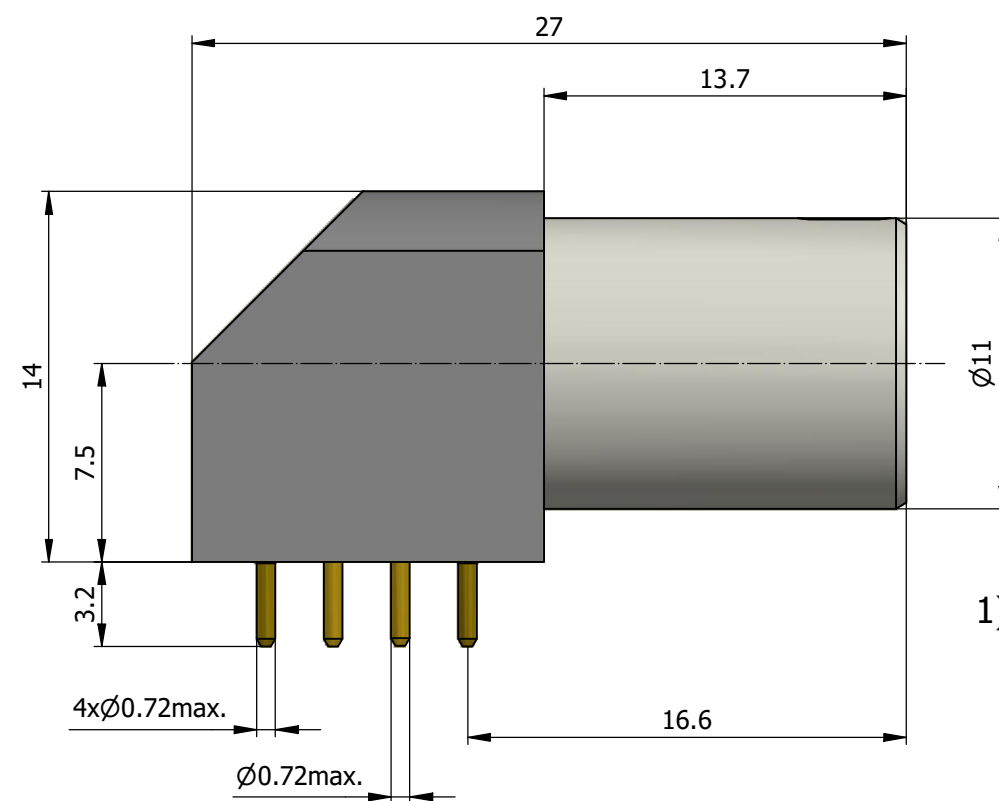
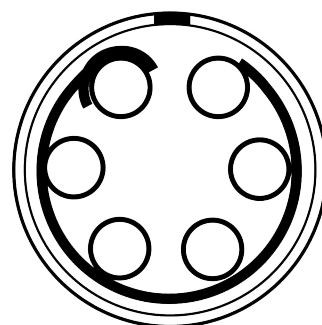


All dimensions are in millimeters (mm)

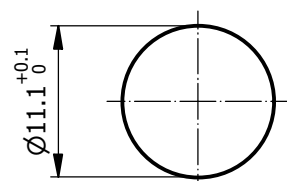
Alignment Key
Front View



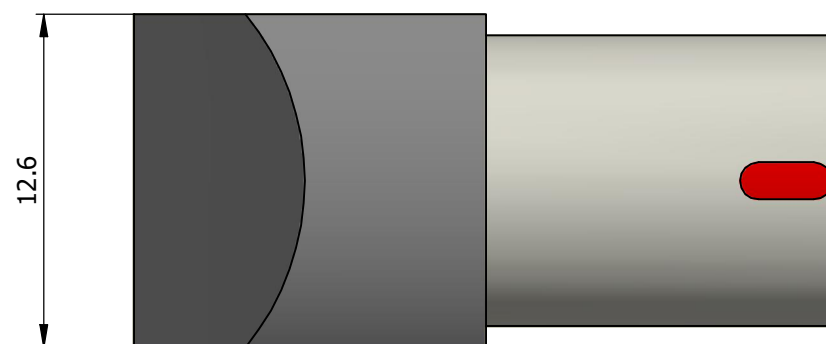
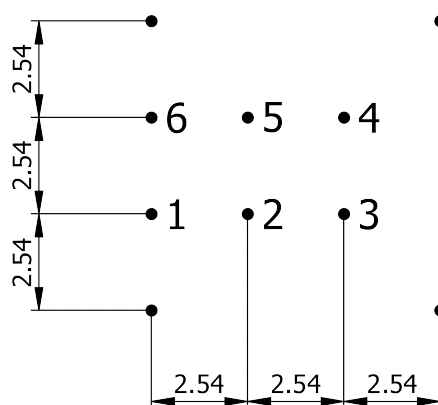
Insert Configuration
Front View



Recommended Panel Cut-Out



Recommended PCB Layout
PCB Top View



Note:

1) This picture is generic and for illustrative purposes only, and may show different keying, materials, colour, finish, and contact configuration. Minor shape or feature variations to actual item may be present.

All additional information are documented on the datasheet (See below link or QR Code)
www.lemo.com/pdf/EPA.1B.306.HLN.pdf

Model Alignment Key Series Insert Config. Housing Insulator Contact Variant
EPA.1B.306.HLN

Datasheet



Elbow socket, for PCB (solder fixing)

Series 1B

LEMO
 LEMO SA
 Chemin des Champs-Courbes 28
 1024 Ecublens - SWITZERLAND

Tel. (+41 21) 695 16 00
 email : info@lemo.com
 www.lemo.com

CD

Drawn	08.01.2025	MARI / MARI
Checked	19.01.2026	OBAR
Modified	01	19.01.2026 / MARI
DO NOT SCALE DRAWING		

EPA.1B.306.HLN