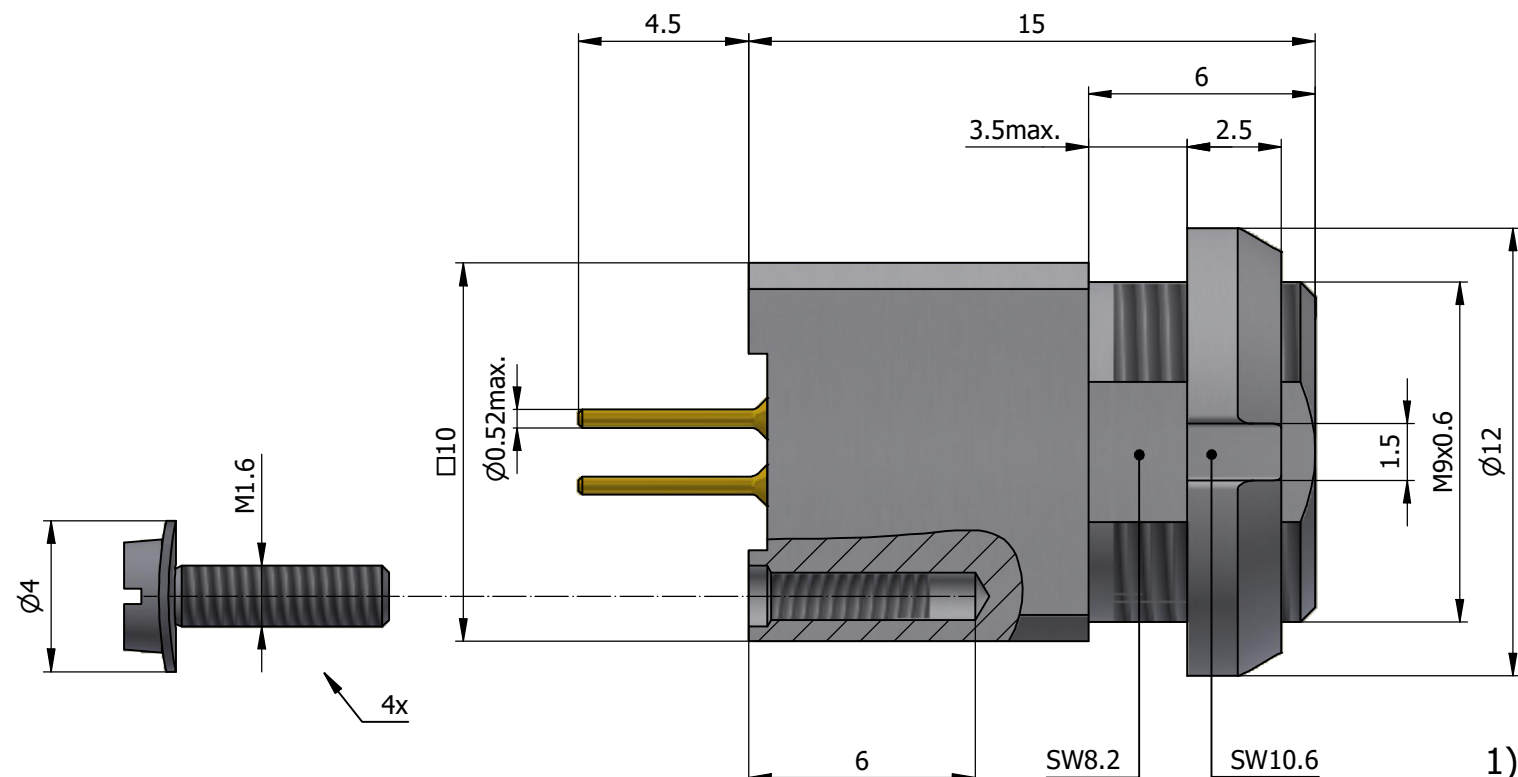
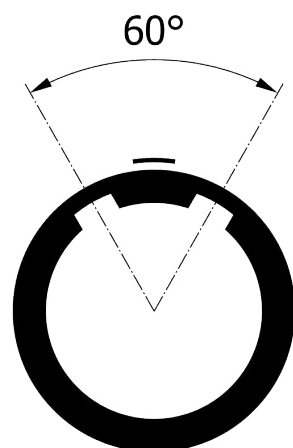
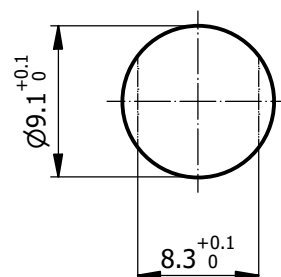
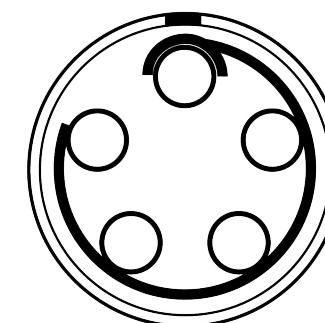


All dimensions are in millimeters (mm)

Alignment Key  
Front View

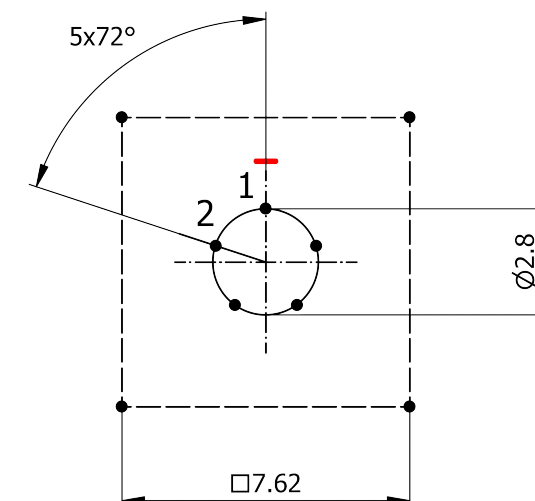


Insert Configuration  
Rear View



Mounting nut torque (Nm)  
Metal shell = 2.5  
Plastic shell = 0.4

Recommended PCB Layout  
PCB Top View



**Note:**

1) This picture is generic and for illustrative purposes only, and may show different keying, materials, colour, finish, and contact configuration. Minor shape or feature variations to actual item may be present.

All additional information are documented on the datasheet (See below link or QR Code)  
[www.lemo.com/pdf/EYB.0B.305.CLN.pdf](http://www.lemo.com/pdf/EYB.0B.305.CLN.pdf)

Model Alignment Key Series Insert Config. Housing Insulator Contact Variant  
**EYB.0B.305.CLN**

Datasheet



**Fixed socket for PCB, nut fixing**

Series 0B

**LEMO**  
LEMO SA  
Chemin des Champs-Courbes 28  
1024 Ecublens - SWITZERLAND

Tel. (+41) 21 695 16 00  
email : [info@lemo.com](mailto:info@lemo.com)  
[www.lemo.com](http://www.lemo.com)

CD

Drawn	18.04.2012	OVU / JPBA
Checked	19.01.2026	OBAR
Modified	02	19.01.2026 / MARI
DO NOT SCALE DRAWING		

**EYB.0B.305.CLN**