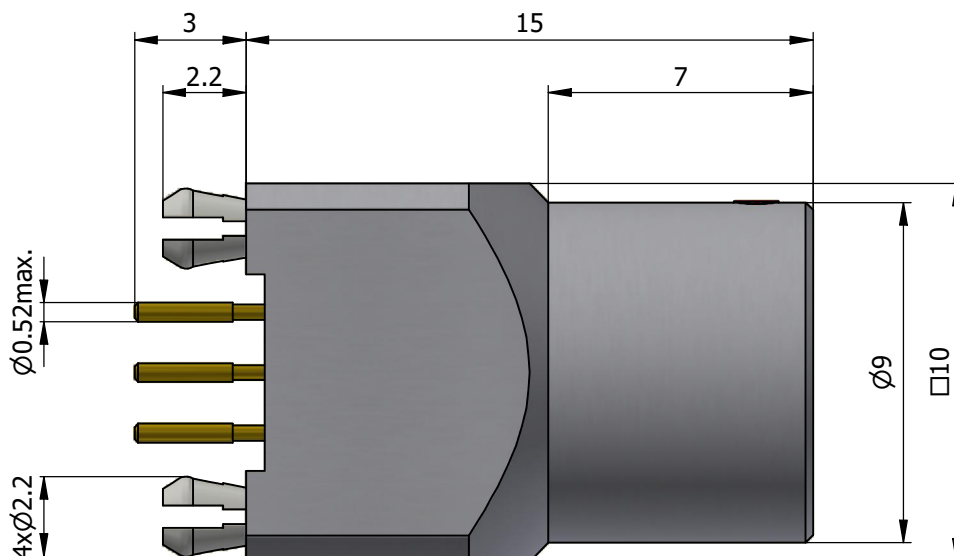
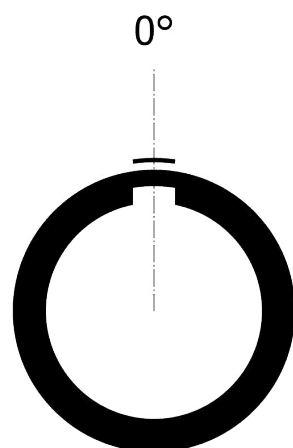
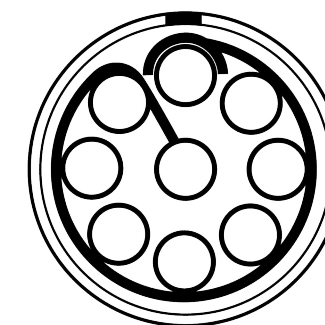


All dimensions are in millimeters (mm)

Alignment Key  
Front View

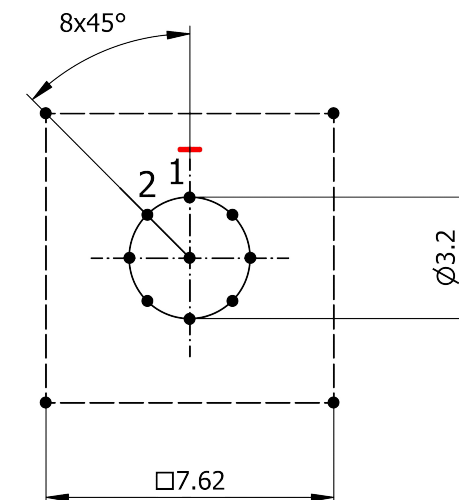


Insert Configuration  
Rear View



1)

Recommended PCB Layout  
PCB Top View



**Note:**

1) This picture is generic and for illustrative purposes only, and may show different keying, materials, colour, finish, and contact configuration. Minor shape or feature variations to actual item may be present.

All additional information are documented on the datasheet (See below link or QR Code)  
[www.lemo.com/pdf/EZG.0B.309.CLNB.pdf](http://www.lemo.com/pdf/EZG.0B.309.CLNB.pdf)

**PRELIMINARY**  
 L0-L1-L2 Status  
 Drawing subject to change

Model Alignment Key Series Insert Config. Housing Insulator Contact Variant  
**EZG.0B.309.CLNB**

Datasheet 	<b>Straight socket for PCB with ground pins harpoon</b> Series 0B		Drawn 19.06.2025 JMIG / JMIG
			Checked 19.01.2026 OBAR
			Modified 01 19.01.2026 / MARI
			DO NOT SCALE DRAWING
LEMO SA Chemin des Champs-Courbes 28 1024 Ecublens - SWITZERLAND		Tel. (+41) 21 695 16 00 email : info@lemo.com www.lemo.com	CD
			<b>EZG.0B.309.CLNB</b>