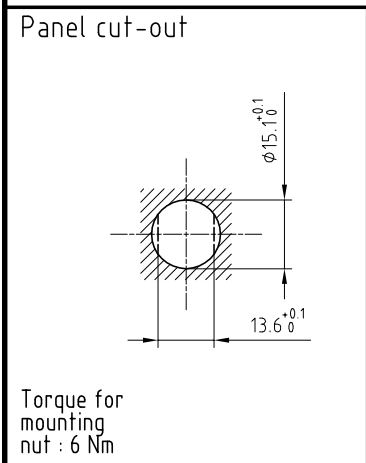


|                       |                       |                              |
|-----------------------|-----------------------|------------------------------|
| Outer shell           | : Brass (UNS C38500)  | Chrome plated (FS-QQ-C-320B) |
| Male sleeves with tag | : Brass (UNS C38500)  | Gold plated (ISO 27874)      |
| Insulators            | : PEEK                | -                            |
| Male contact          | : Brass (UNS C38500)  | Gold plated (ISO 27874)      |
| Earthing washer       | : Brass (UNS C27400)  | Cu-Sn-Zn alloy               |
| Locking washer        | : Bronze (UNS C52100) | Nickel plated (FS-QQ-N-290A) |
| Other metallic parts  | : Brass (UNS C38500)  | Nickel plated (FS-QQ-N-290A) |



Spanner for nut : DCA.91.231.7TN or  
Spanner for nut : DCG.91.231.7TN

|  |  |                       |          |                  |            |
|--|--|-----------------------|----------|------------------|------------|
| <b>Straight plug , non-latching , nut fixing .</b><br><b>Series 2S , quintax (mm) <math>\phi</math>0.9 / <math>\phi</math>3.3 / <math>\phi</math>5.3 / <math>\phi</math>7.3 / <math>\phi</math>9.8</b> |  | Echelle               | Dessiné  | 25.05.2016       | OVU / NHA  |
|  |  | —                     | Contrôle | 25.05.2016       | NHA / ATVI |
| ETUDE N° E4020   |  | Modif.                | 00       | 25.05.2016/ OVU  |            |
|  |  | <b>FAA.2S.695.CLA</b> |          | CH-1024 Ecublens |            |