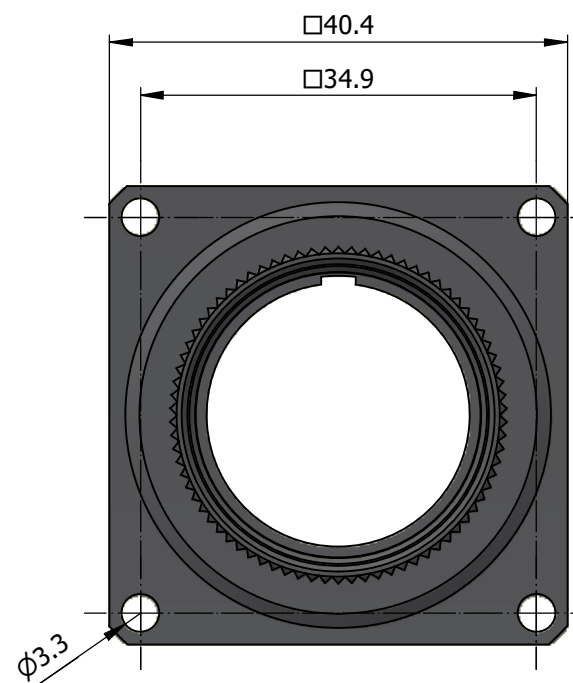
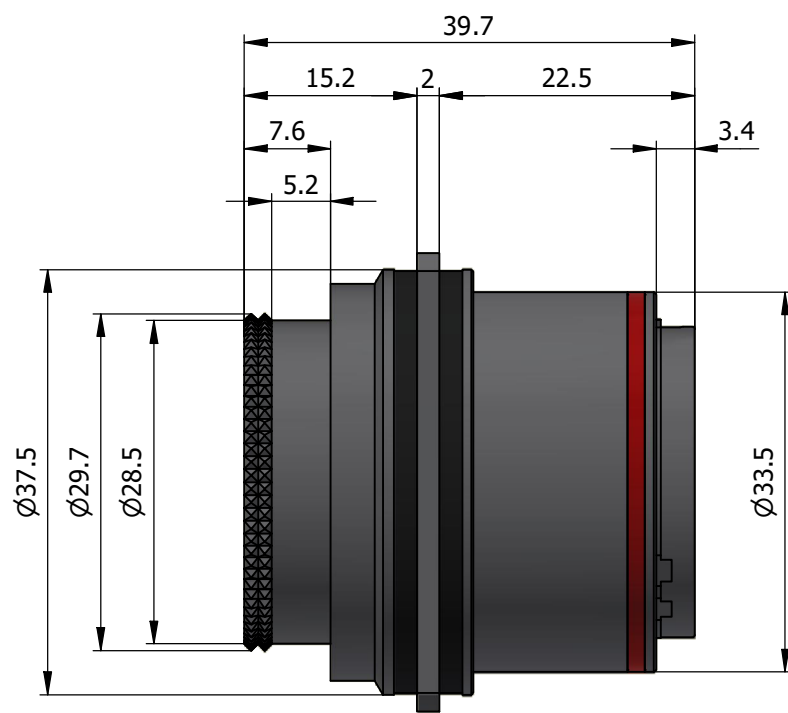
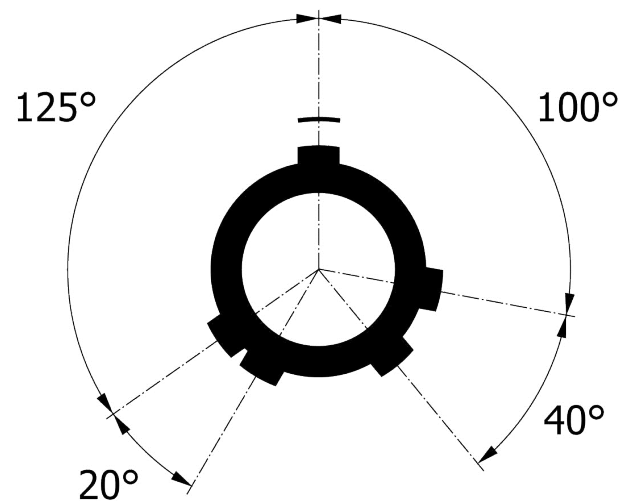


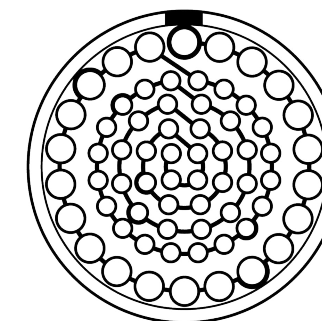
All dimensions are in millimeters (mm)

Alignment Key  
Front View

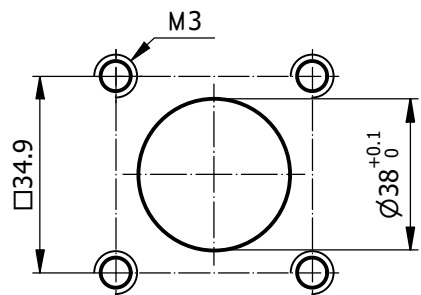


1) Shell Dimensions 1)

Insert Configuration  
Rear View



Recommended Panel Cut-Out



**Note:**

1) This picture is generic and for illustrative purposes only, and may show different keying, materials, colour, finish, and contact configuration. Minor shape or feature variations to actual item may be present.

All additional information are documented on the datasheet (See below link or QR Code)  
[www.lemo.com/pdf/FBX.5M.366.XRY44.pdf](http://www.lemo.com/pdf/FBX.5M.366.XRY44.pdf)

**PRELIMINARY**  
 L0-L1-L2 Status  
 Drawing subject to change

Model: FBX  
 Alignment Key: .5M  
 Series: .366  
 Insert Config.: .XRY44  
 Housing: \_\_\_\_\_  
 Insulator: \_\_\_\_\_  
 Contact: \_\_\_\_\_  
 Variant: \_\_\_\_\_

Datasheet 	<b>Straight plug with square flange, non-locking</b> Series 5M		Drawn 17.04.2025 JMIG/JMIG Checked 17.04.2025 MARI Modified 00 17.04.2025/JMIG DO NOT SCALE DRAWING
	LEMO SA Chemin des Champs-Courbes 28 1024 Ecublens - SWITZERLAND		Tel. (+41) 21 695 16 00 email : info@lemo.com www.lemo.com
CD		<b>FBX.5M.366.XRY44</b>	