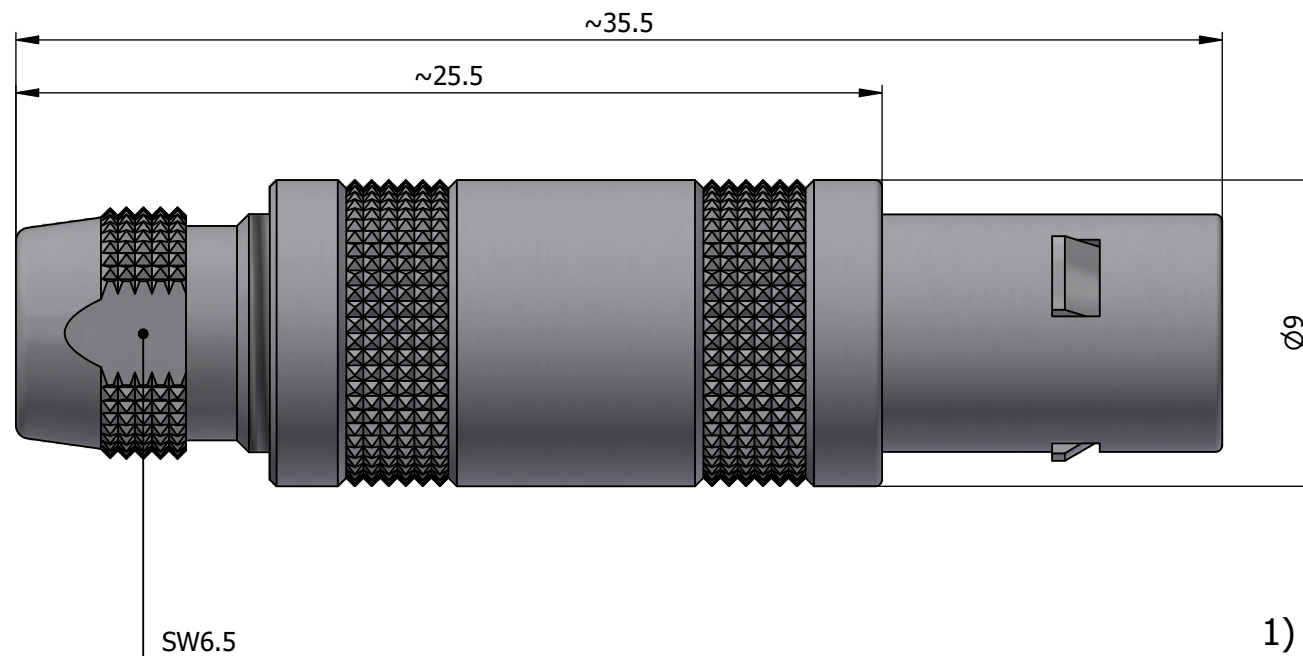
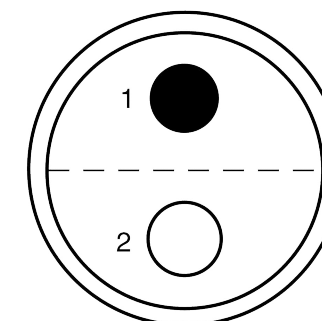


All dimensions are in millimeters (mm)

Alignment Key  
Front View



Insert Configuration  
Rear View



**Note:**

1) This picture is generic and for illustrative purposes only, and may show different keying, materials, colour, finish, and contact configuration. Minor shape or feature variations to actual item may be present.

All additional information are documented on the datasheet (See below link or QR Code)  
[www.lemo.com/pdf/FFA.0S.302.KLAC44.pdf](http://www.lemo.com/pdf/FFA.0S.302.KLAC44.pdf)

|                   |        |                |         |           |         |             |         |         |
|-------------------|--------|----------------|---------|-----------|---------|-------------|---------|---------|
| Model             | Series | Insert Config. | Housing | Insulator | Contact | Collet Type | Cable Ø | Variant |
| FFA.0S.302.KLAC44 |        |                |         |           |         |             |         |         |

|                  |   |                             |                                    |
|------------------|---|-----------------------------|------------------------------------|
| <p>Datasheet</p> | <p><b>Straight plug, cable collet</b></p> <p>Series 0S</p>                      |                             | <p>Drawn 02.04.2024 MARI/MARI</p>  |
|                  | <p>LEMO SA<br/>Chemin des Champs-Courbes 28<br/>1024 Ecublens - SWITZERLAND</p> |                             | <p>Checked 02.04.2024 TCIT</p>     |
|                  | <p>Tel. (+41) 21 695 16 00<br/>email : info@lemo.com<br/>www.lemo.com</p>       |                             | <p>Modified 00 02.04.2024/MARI</p> |
|                  | <p>CD</p>   | <p>DO NOT SCALE DRAWING</p> |                                    |