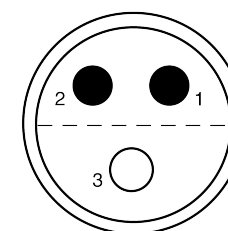


All dimensions are in millimeters (mm)

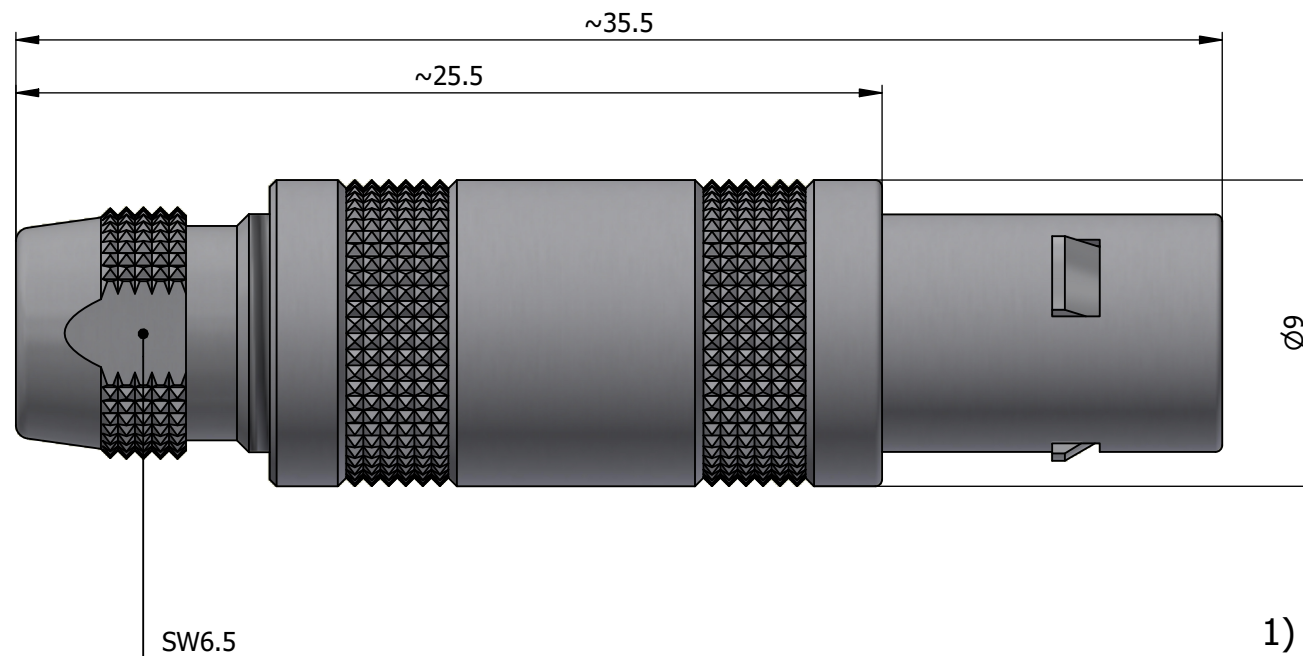
Alignment Key  
Front View



Insert Configuration  
Rear View



Contact 1: Copper (+)  
Contact 2: Konstantan (-)



**Note:**

1) This picture is generic and for illustrative purposes only, and may show different keying, materials, colour, finish, and contact configuration. Minor shape or feature variations to actual item may be present.

All additional information are documented on the datasheet (See below link or QR Code)  
[www.lemo.com/pdf/FFA.0S.303.CLTC44.pdf](http://www.lemo.com/pdf/FFA.0S.303.CLTC44.pdf)

Model	Series	Insert Config.	Housing	Insulator	Contact	Collet Type	Cable Ø	Variant
FFA.0S.303								CLTC44



**Straight plug, cable collet**  
Series 0S

**LEMO**  
LEMO SA  
Chemin des Champs-Courbes 28  
1024 Ecublens - SWITZERLAND

Tel. (+41) 21 695 16 00  
email : info@lemo.com  
www.lemo.com

CD

Drawn	24.01.2011	OVU / JPBA
Checked	02.04.2024	TCIT
Modified	01	02.04.2024 / MARI
DO NOT SCALE DRAWING		

**FFA.0S.303.CLTC44**