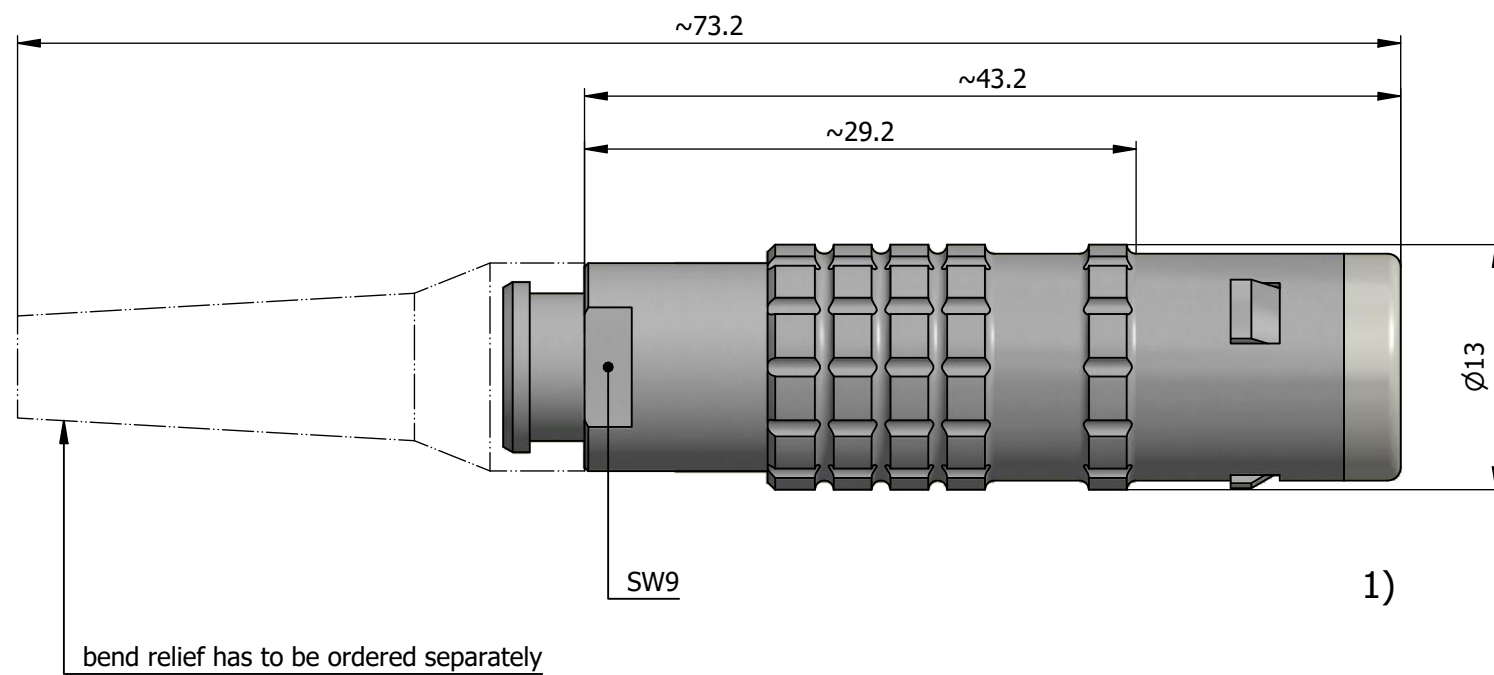
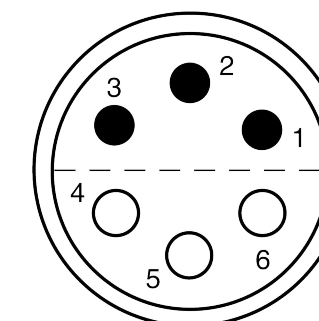


All dimensions are in millimeters (mm)

Alignment Key
Front View



Insert Configuration
Rear View



Note:

1) This picture is generic and for illustrative purposes only, and may show different keying, materials, colour, finish, and contact configuration. Minor shape or feature variations to actual item may be present.

All additional information are documented on the datasheet (See below link or QR Code)
www.lemo.com/pdf/FFA.1E.306.KLAC50Z.pdf

Model	Series	Insert Config.	Housing	Insulator	Contact	Collet Type	Cable \varnothing	Variant
FFA	1E	306	KLAC	50Z				

 Datasheet	Straight plug, cable collet and nut for fitting a bend relief Series 1E		Drawn 17.08.2022 MARI / MARI
	 LEMO SA Chemin des Champs-Courbes 28 1024 Ecublens - SWITZERLAND		Checked 17.08.2022 OBAR
Tel. (+41) 21 695 16 00 email : info@lemo.com www.lemo.com		Modified 00 17.08.2022 / MARI	DO NOT SCALE DRAWING
CD		FFA.1E.306.KLAC50Z	