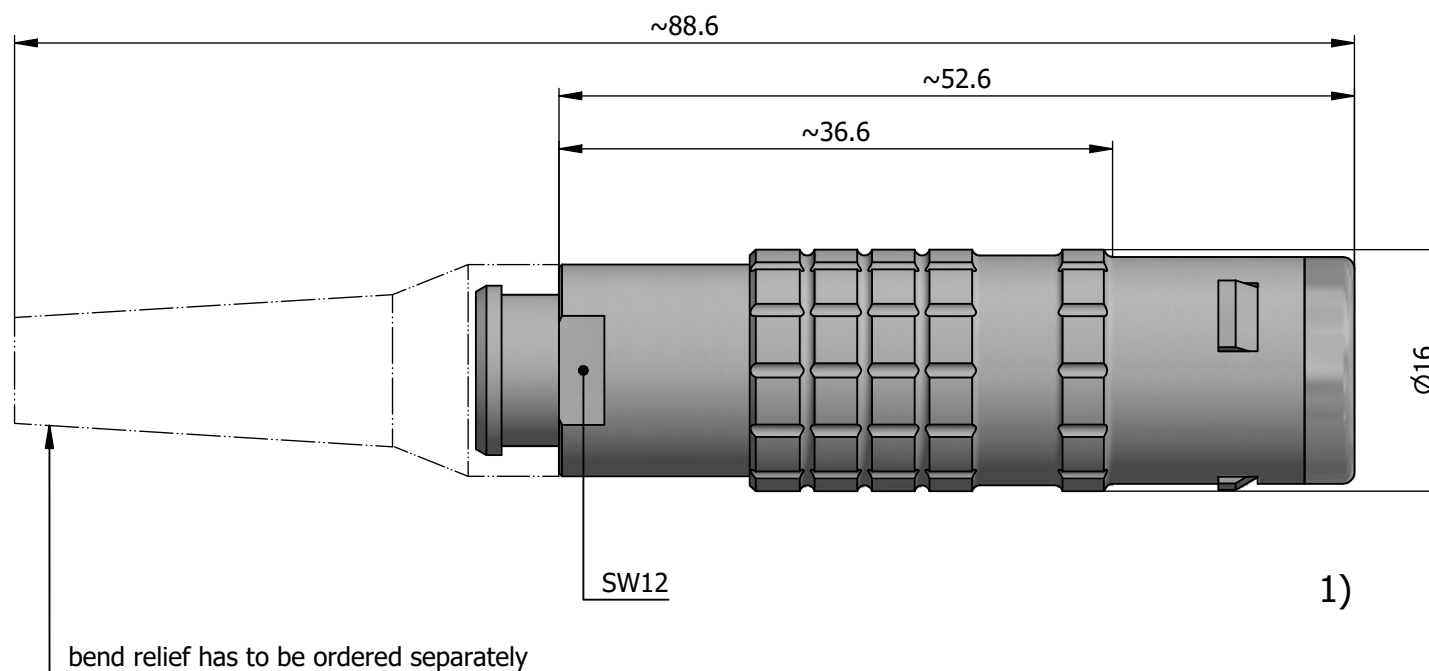
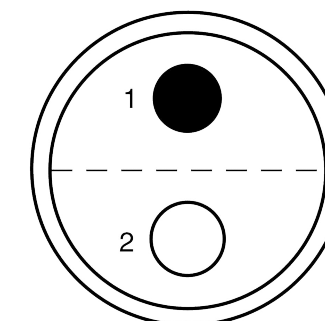


All dimensions are in millimeters (mm)

Alignment Key  
Front View



Insert Configuration  
Rear View



**Note:**

1) This picture is generic and for illustrative purposes only, and may show different keying, materials, colour, finish, and contact configuration. Minor shape or feature variations to actual item may be present.

All additional information are documented on the datasheet (See below link or QR Code)  
[www.lemo.com/pdf/FFA.2E.302.CLAC55Z.pdf](http://www.lemo.com/pdf/FFA.2E.302.CLAC55Z.pdf)

Model Series Insert Config. Housing Insulator Contact Collet Type Cable Ø Variant  
**FFA.2E.302.CLAC55Z**



**Straight plug, cable collet and nut for fitting a bend relief**  
 Series 2E

**LEMO**  
 LEMO SA  
 Chemin des Champs-Courbes 28  
 1024 Ecublens - SWITZERLAND

Tel. (+41 21) 695 16 00  
 email : info@lemo.com  
 www.lemo.com

Drawn	11.11.2024	MARI / MARI
Checked	11.11.2024	OBAR
Modified	00	11.11.2024 / MARI
DO NOT SCALE DRAWING		

**FFA.2E.302.CLAC55Z**