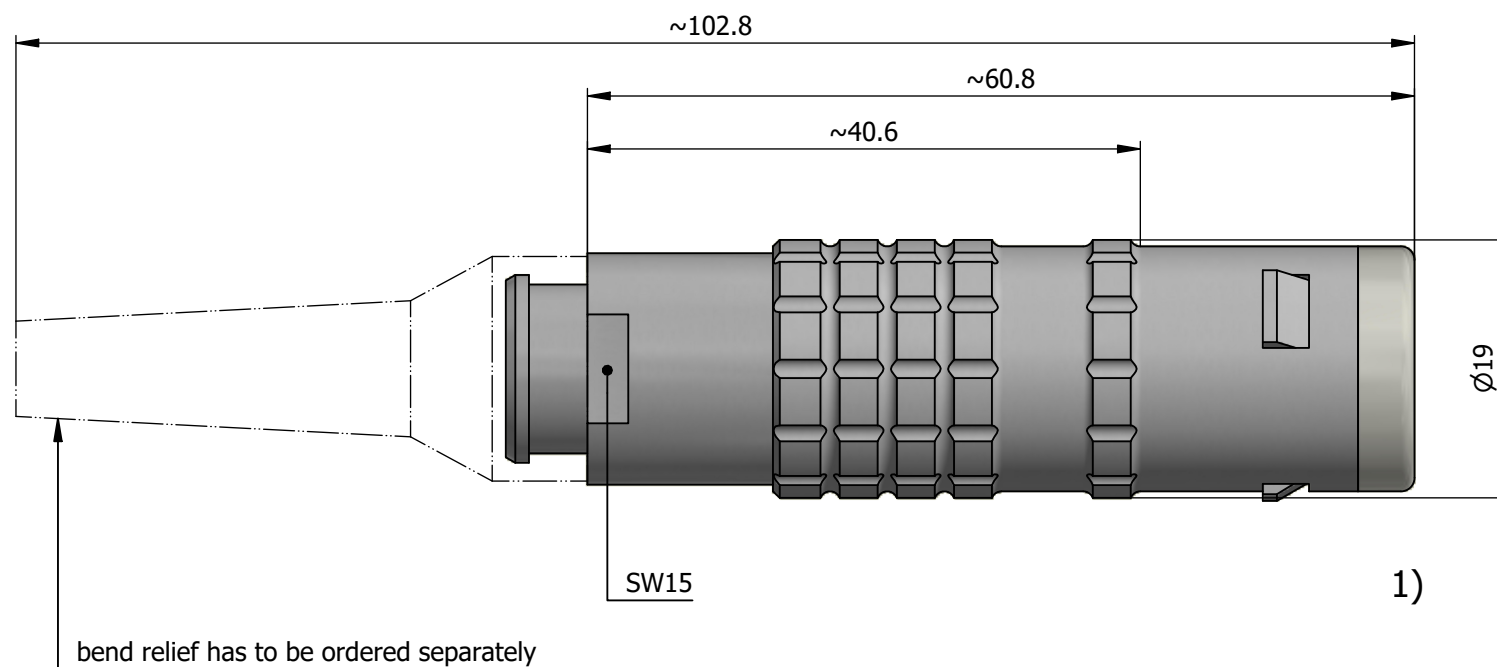
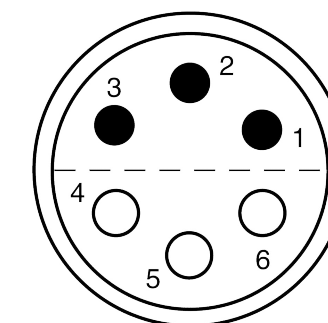


All dimensions are in millimeters (mm)

Alignment Key
Front View



Insert Configuration
Rear View



Note:

1) This picture is generic and for illustrative purposes only, and may show different keying, materials, colour, finish, and contact configuration. Minor shape or feature variations to actual item may be present.

All additional information are documented on the datasheet (See below link or QR Code)
www.lemo.com/pdf/FFA.3E.306.CLAC70Z.pdf

Model Series Insert Config. Housing Insulator Contact Collet Type Cable Ø Variant
FFA.3E.306.CLAC70Z



Straight plug, cable collet and nut for fitting a bend relief
 Series 3E

LEMO
 LEMO SA
 Chemin des Champs-Courbes 28
 1024 Ecublens - SWITZERLAND

Tel. (+41 21) 695 16 00
 email : info@lemo.com
 www.lemo.com

Drawn	18.02.2019	OVU / NHA
Checked	11.11.2024	OBAR
Modified	01	11.11.2024 / MARI
DO NOT SCALE DRAWING		
FFA.3E.306.CLAC70Z		CD