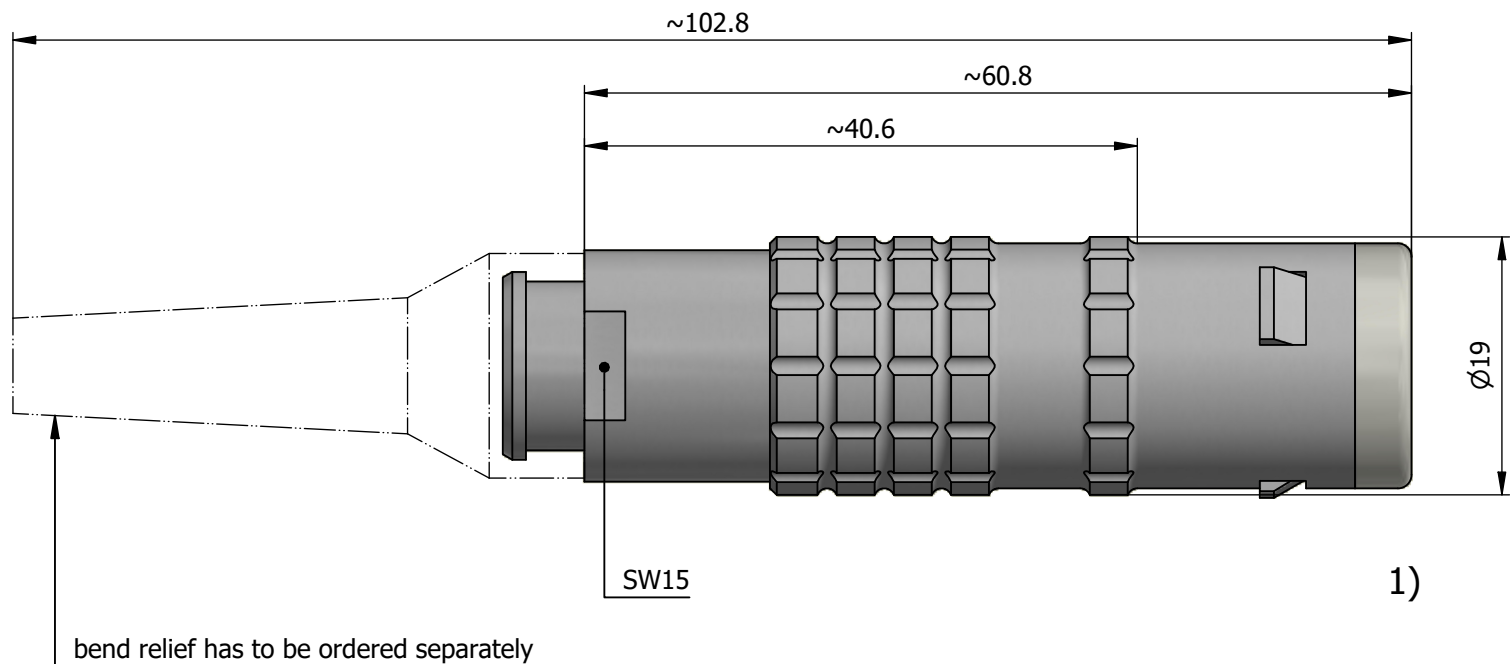
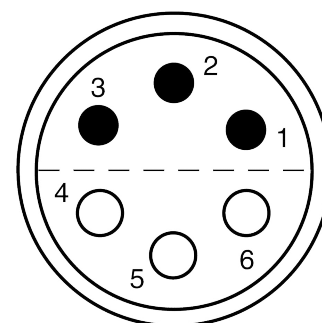


All dimensions are in millimeters (mm)

Alignment Key  
Front View



Insert Configuration  
Rear View



**Note:**

1) This picture is generic and for illustrative purposes only, and may show different keying, materials, colour, finish, and contact configuration. Minor shape or feature variations to actual item may be present.

All additional information are documented on the datasheet (See below link or QR Code)  
[www.lemo.com/pdf/FFA.3E.306.CLAC75Z.pdf](http://www.lemo.com/pdf/FFA.3E.306.CLAC75Z.pdf)

Model Series Insert Config. Housing Insulator Contact Collet Type Cable Ø Variant  
**FFA.3E.306.CLAC75Z**

<p>Datasheet</p>	<p><b>Straight plug, cable collet and nut for fitting a bend relief</b></p> <p>Series 3E</p>		<p>Drawn 18.02.2019 OVU / NHA</p>
	<p><b>LEMO</b>  <small>LEMO SA          Chemin des Champs-Courbes 28          1024 Ecublens - SWITZERLAND</small></p>		<p>Checked 11.11.2024 OBAR</p>
	<p>Tel. (+41 21) 695 16 00          email : info@lemo.com          www.lemo.com</p>		<p>Modified 01 11.11.2024 / MARI</p>
	<p>CD</p>		<p>DO NOT SCALE DRAWING</p>

**FFA.3E.306.CLAC75Z**