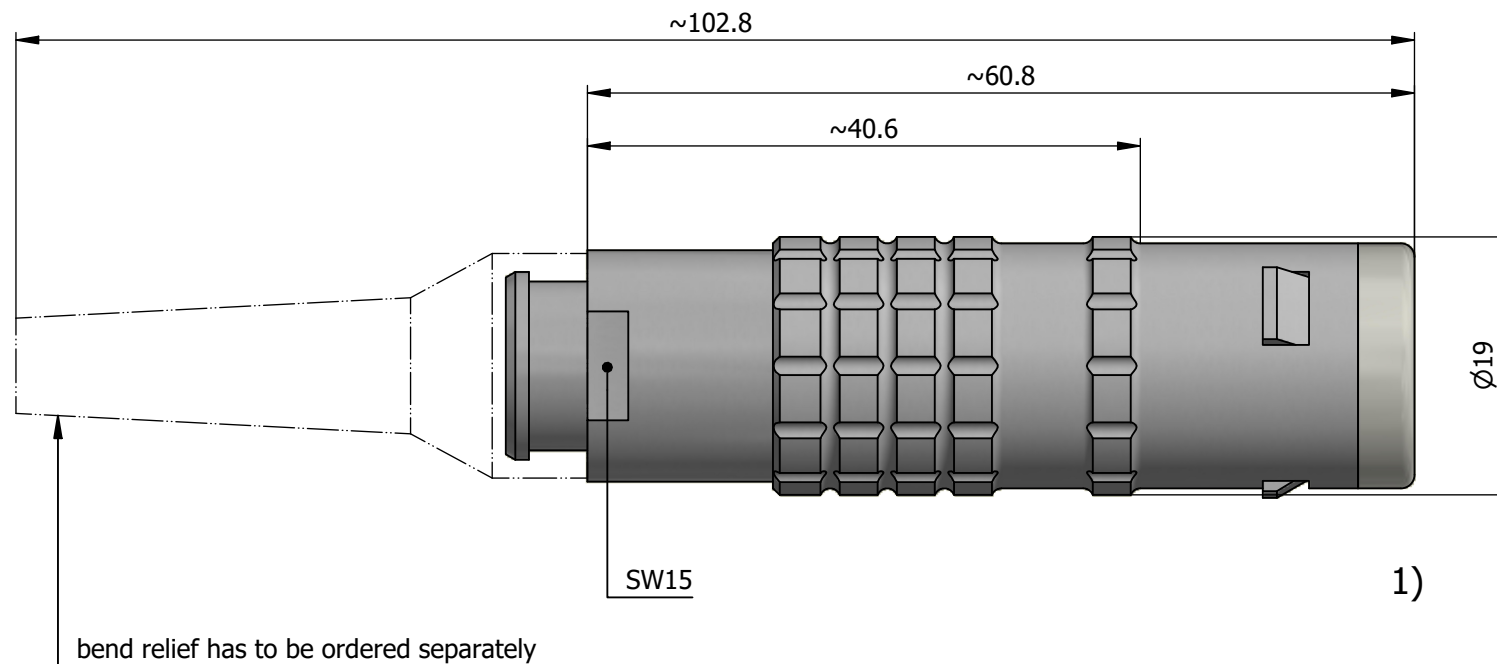
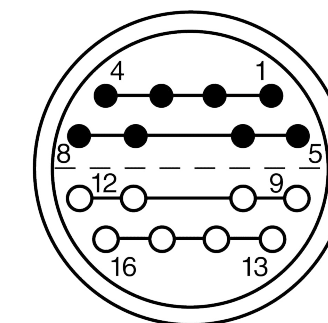


All dimensions are in millimeters (mm)

Alignment Key
Front View



Insert Configuration
Rear View



Note:

1) This picture is generic and for illustrative purposes only, and may show different keying, materials, colour, finish, and contact configuration. Minor shape or feature variations to actual item may be present.

All additional information are documented on the datasheet (See below link or QR Code)
www.lemo.com/pdf/FFA.3E.316.CLAC85Z.pdf

Model Series Insert Config. Housing Insulator Contact Collet Type Cable Ø Variant
FFA.3E.316.CLAC85Z

 Datasheet	Straight plug, cable collet and nut for fitting a bend relief Series 3E		Drawn 11.11.2024 MARI/MARI
	 LEMO SA Chemin des Champs-Courbes 28 1024 Ecublens - SWITZERLAND		Checked 11.11.2024 OBAR
Tel. (+41 21) 695 16 00 email : info@lemo.com www.lemo.com		Modified 00 11.11.2024/MARI	DO NOT SCALE DRAWING
CD		FFA.3E.316.CLAC85Z	