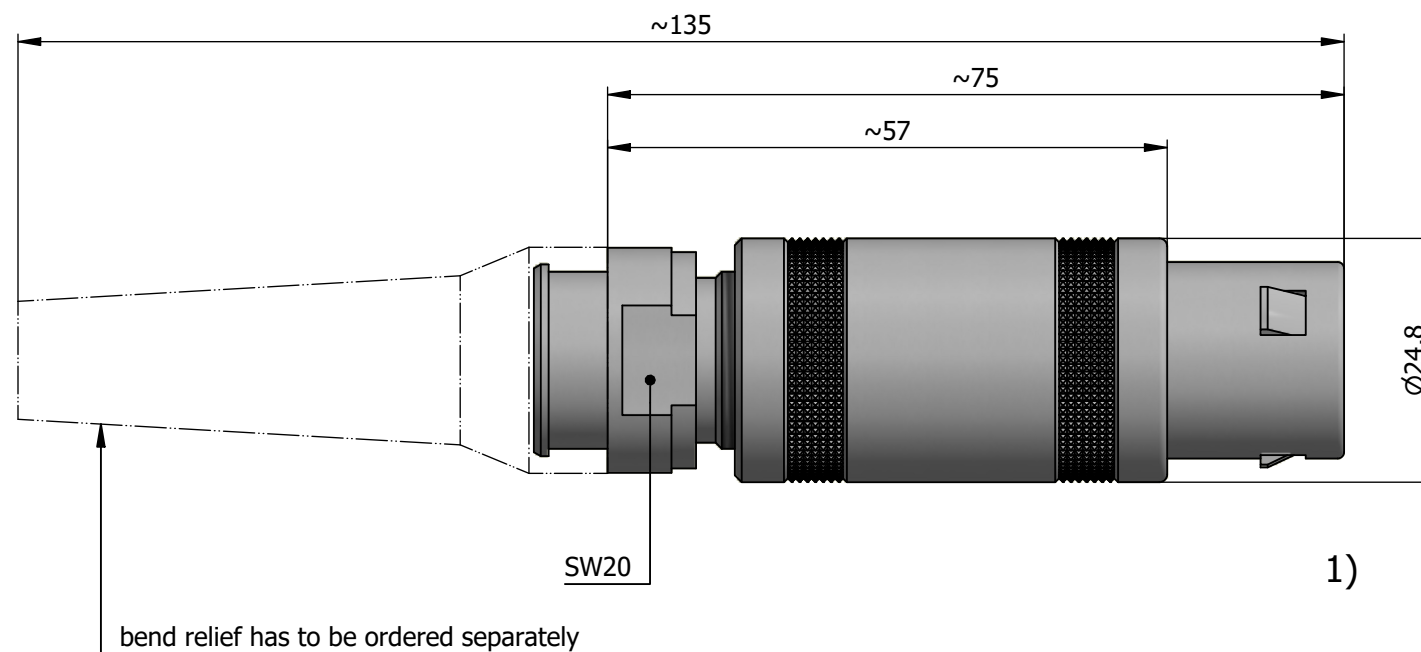
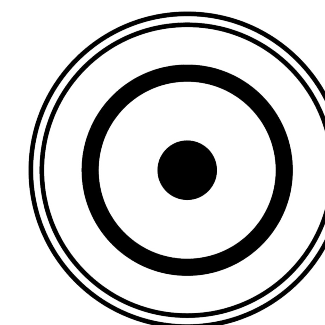


All dimensions are in millimeters (mm)

Alignment Key  
Front View



Insert Configuration  
Rear View



**Note:**

1) This picture is generic and for illustrative purposes only, and may show different keying, materials, colour, finish, and contact configuration. Minor shape or feature variations to actual item may be present.

All additional information are documented on the datasheet (See below link or QR Code)  
[www.lemo.com/pdf/FFA.4S.250.CTAC11Z.pdf](http://www.lemo.com/pdf/FFA.4S.250.CTAC11Z.pdf)

Model	Series	Insert Config.	Housing	Insulator	Contact	Collet Type	Cable Ø	Variant
FFA	4S	250				CTAC	11Z	

<p>Datasheet</p>	<p><b>Straight plug, cable collet and nut for fitting a bend relief</b></p> <p>Series 4S</p>		<p>Drawn 03.04.2024 MARI / MARI</p>
	<p><b>LEMO</b>  <small>LEMO SA          Chemin des Champs-Courbes 28          1024 Ecublens - SWITZERLAND</small></p>		<p>Checked 03.04.2024 OBAR</p>
<p>Tel. (+41 21) 695 16 00          email : info@lemo.com          www.lemo.com</p>		<p>Modified 00 03.04.2024 / MARI</p>	<p>CD</p>
<p><b>FFA.4S.250.CTAC11Z</b></p>		<p>DO NOT SCALE DRAWING</p>	