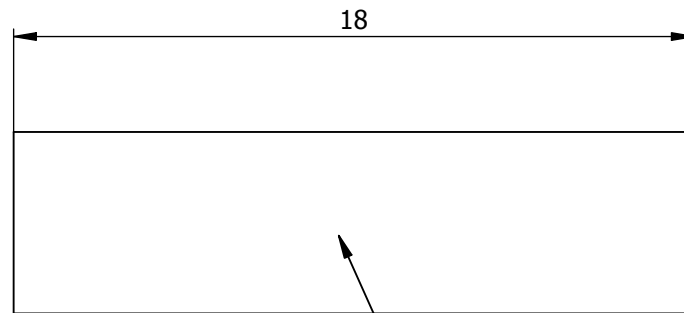
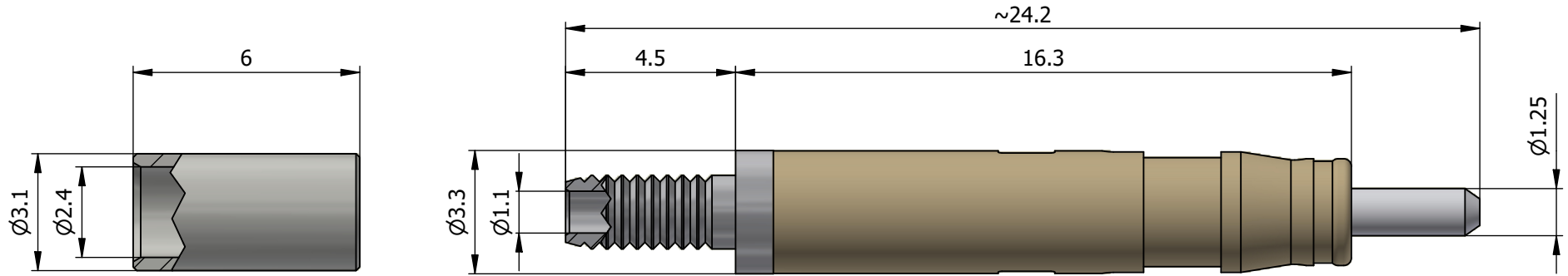
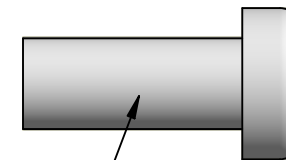


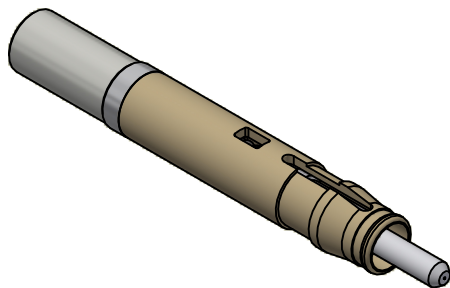
All dimensions are in millimeters (mm)



Heatshrink



Protection cap



All additional information are documented on the datasheet (See below link or QR Code)  
[www.lemo.com/pdf/FFS.F7.125.LCE23.pdf](http://www.lemo.com/pdf/FFS.F7.125.LCE23.pdf)

Datasheet



**Male fiber optic contact for tight jacket cable,  
 ferrule bore  $\varnothing 125\mu\text{m}$**

Type F7



LEMO SA  
 Chemin des Champs-Courbes 28  
 1024 Ecublens - SWITZERLAND

Tel. (+41) 21 695 16 00  
 email : info@lemo.com  
 www.lemo.com

CD

Drawn	08.12.2005	OVU/RMO
Checked	12.09.2023	OBAR
Modified	02	12.09.2023/MARI
DO NOT SCALE DRAWING		

**FFS.F7.125.LCE23**