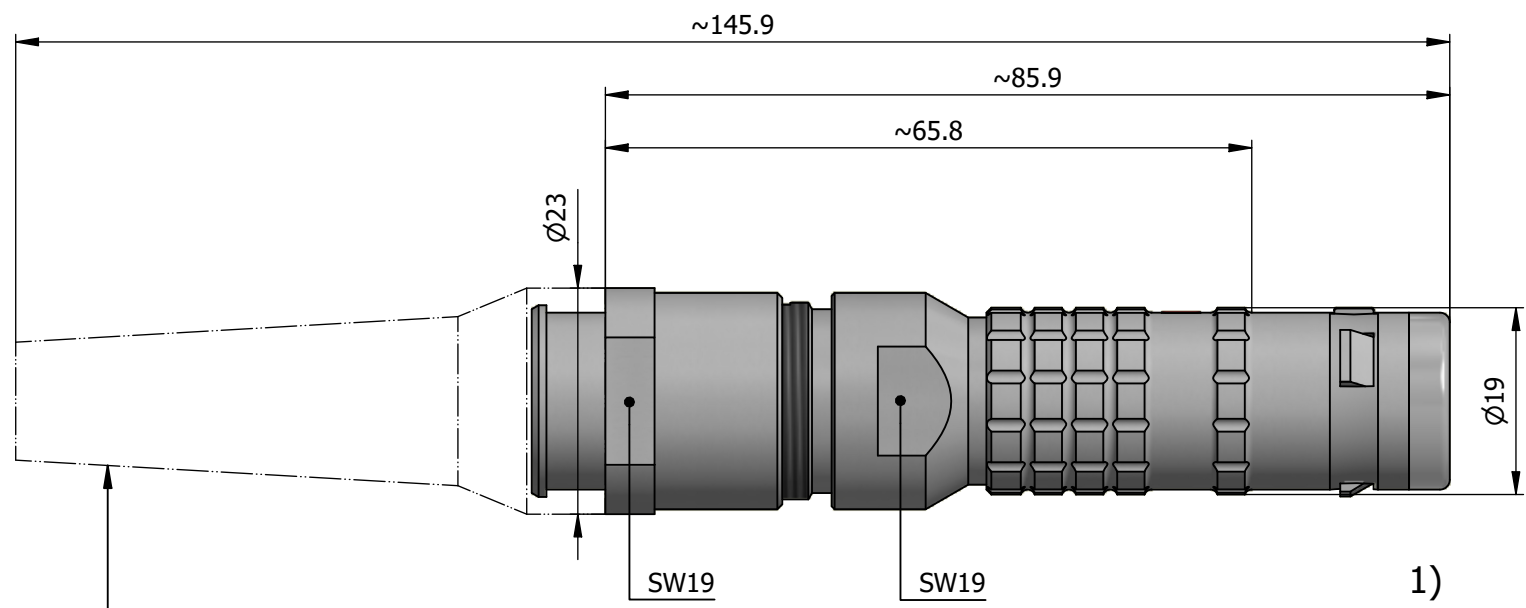
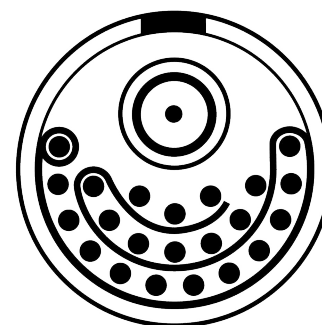


All dimensions are in millimeters (mm)

Alignment Key
Front View



Insert Configuration
Rear View



bend relief has to be ordered separately

Note:

1) This picture is generic and for illustrative purposes only, and may show different keying, materials, colour, finish, and contact configuration. Minor shape or feature variations to actual item may be present.

All additional information are documented on the datasheet (See below link or QR Code)
www.lemo.com/pdf/FGG.3K.822.CLAK31Z.pdf

Model	Alignment Key	Series	Insert Config.	Housing	Insulator	Contact	Collet Type	Cable ϕ	Variant
FGG	.3K	.822	.CLAK	31Z					

Datasheet



Straight plug, oversize cable collet and nut for fitting a bend relief
 Series 3K

LEMO
 LEMO SA
 Chemin des Champs-Courbes 28
 1024 Ecublens - SWITZERLAND

Tel. (+41 21) 695 16 00
 email : info@lemo.com
 www.lemo.com

CD

Drawn	10.06.2016	OVU / MHA
Checked	26.08.2024	OBAR
Modified	01	26.08.2024 / MARI
DO NOT SCALE DRAWING		

FGG.3K.822.CLAK31Z