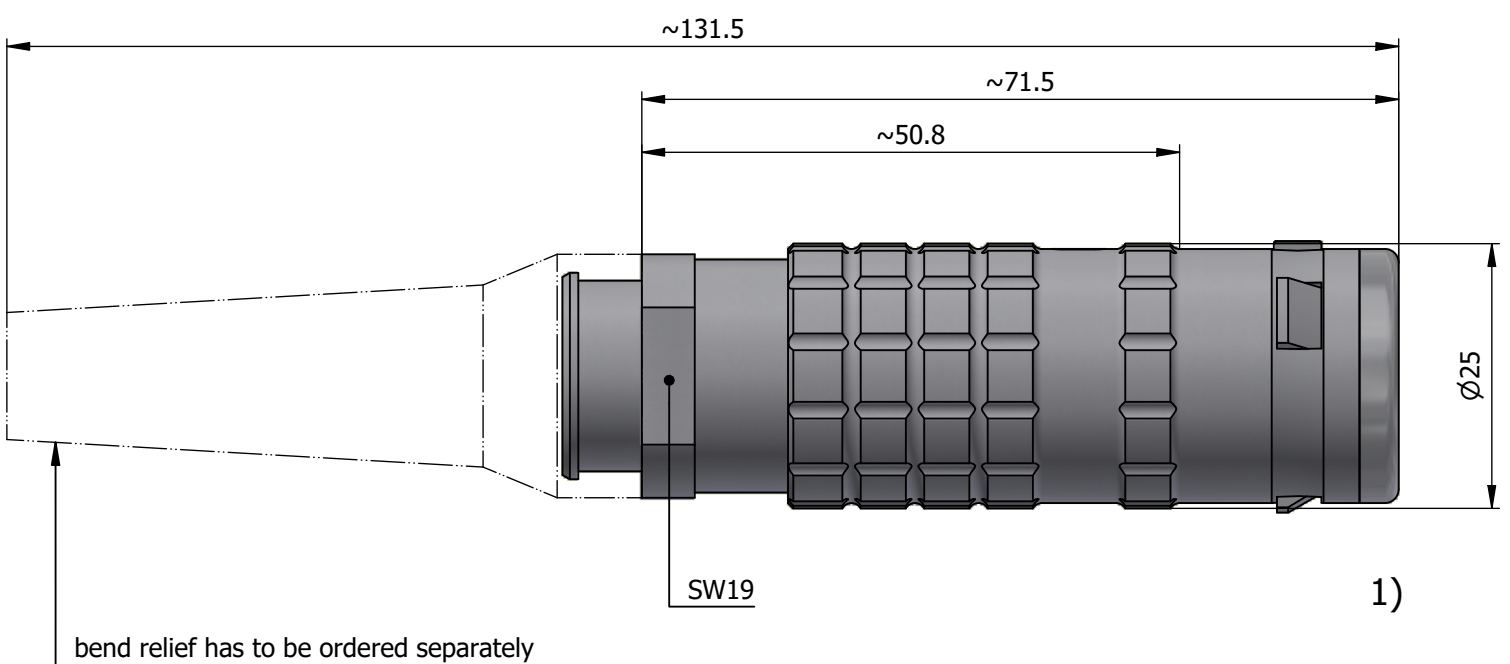
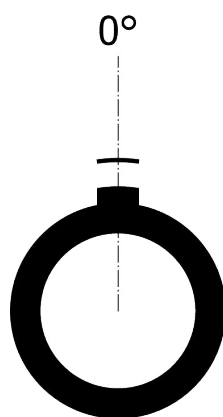
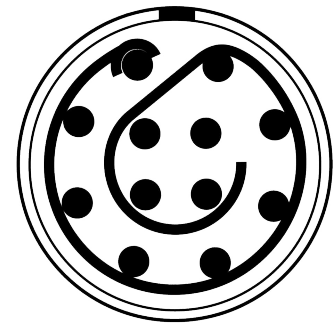


All dimensions are in millimeters (mm)

Alignment Key  
Front View



Insert Configuration  
Rear View



**Note:**

1) This picture is generic and for illustrative purposes only, and may show different keying, materials, colour, finish, and contact configuration. Minor shape or feature variations to actual item may be present.

All additional information are documented on the datasheet (See below link or QR Code)  
[www.lemo.com/pdf/FGG.4K.312.CLAC15Z.pdf](http://www.lemo.com/pdf/FGG.4K.312.CLAC15Z.pdf)

Model	Alignment Key	Series	Insert Config.	Housing	Insulator	Contact	Collet Type	Cable Ø	Variant
FGG	.4K	.312	.CLAC	15Z					

	<b>Straight plug, cable collet and nut for fitting a bend relief</b> Series 4K	Drawn 16.08.2024 MARI / MARI
		Checked 16.08.2024 OBAR
		Modified 00 16.08.2024 / MARI
		DO NOT SCALE DRAWING
LEMO SA Chemin des Champs-Courbes 28 1024 Ecublens - SWITZERLAND	Tel. (+41 21) 695 16 00 email : info@lemo.com www.lemo.com	CD <b>FGG.4K.312.CLAC15Z</b>