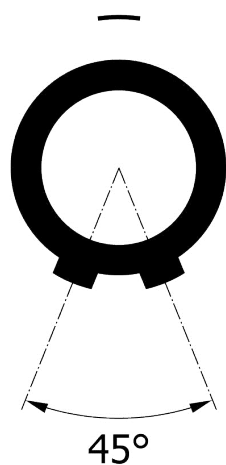
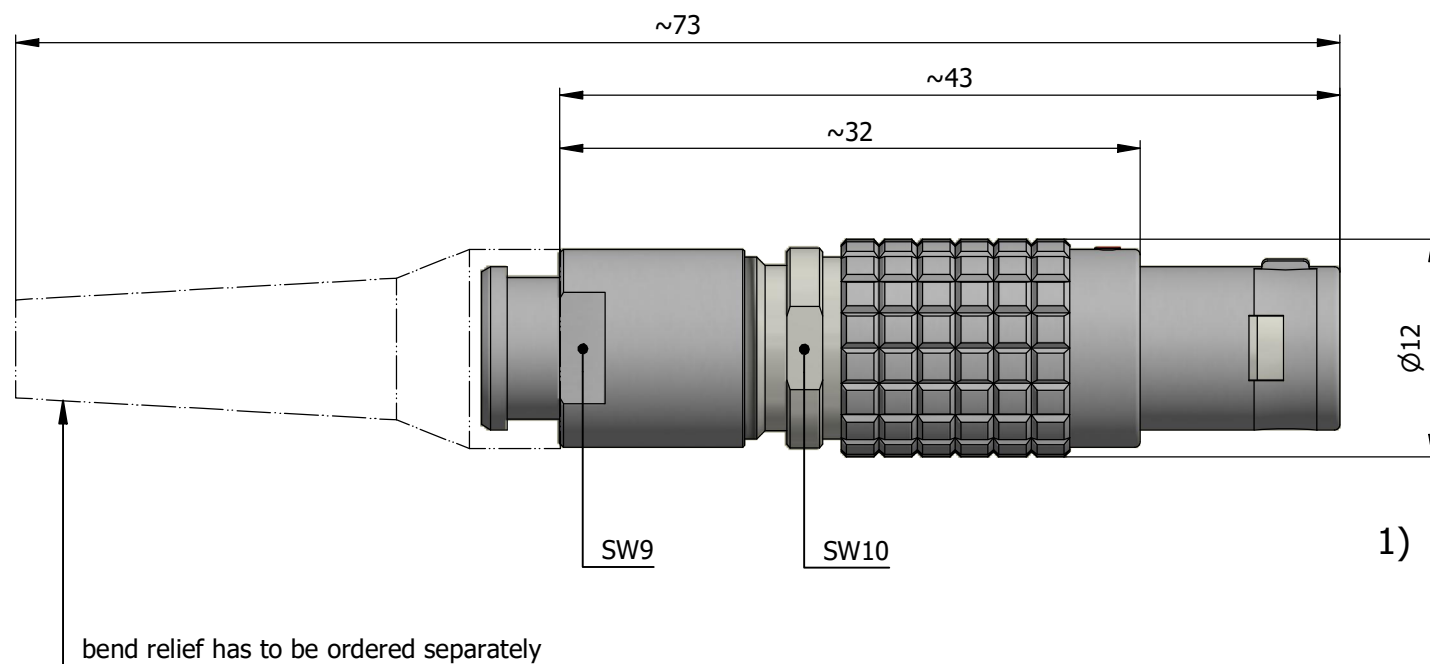
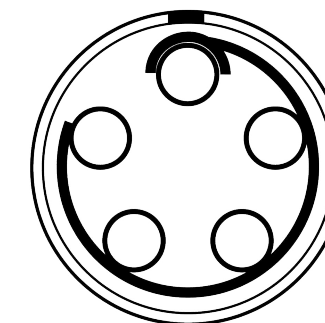


All dimensions are in millimeters (mm)

Alignment Key  
Front View



Insert Configuration  
Rear View



**Note:**

1) This picture is generic and for illustrative purposes only, and may show different keying, materials, colour, finish, and contact configuration. Minor shape or feature variations to actual item may be present.

All additional information are documented on the datasheet (See below link or QR Code)  
[www.lemo.com/pdf/FGJ.1B.305.CYMD52Z.pdf](http://www.lemo.com/pdf/FGJ.1B.305.CYMD52Z.pdf)

|       |               |        |                |         |           |         |             |         |         |
|-------|---------------|--------|----------------|---------|-----------|---------|-------------|---------|---------|
| Model | Alignment Key | Series | Insert Config. | Housing | Insulator | Contact | Collet Type | Cable Ø | Variant |
| FGJ   | .1B           | .305   | .CYMD52Z       |         |           |         |             |         |         |

|  |   |                             |                            |
|--|---|-----------------------------|----------------------------|
|  | <b>Straight plug, cable collet and nut for fitting a bend relief</b><br>Series 1B |                             | Drawn 18.11.2024 MARI/MARI |
|  | LEMO SA<br>Chemin des Champs-Courbes 28<br>1024 Ecublens - SWITZERLAND            |                             | Checked 18.11.2024 OBAR    |
| Tel. (+41 21) 695 16 00<br>email : info@lemo.com<br>www.lemo.com |   | Modified 00 18.11.2024/MARI | DO NOT SCALE DRAWING       |
| CD   |   | <b>FGJ.1B.305.CYMD52Z</b>   |                            |