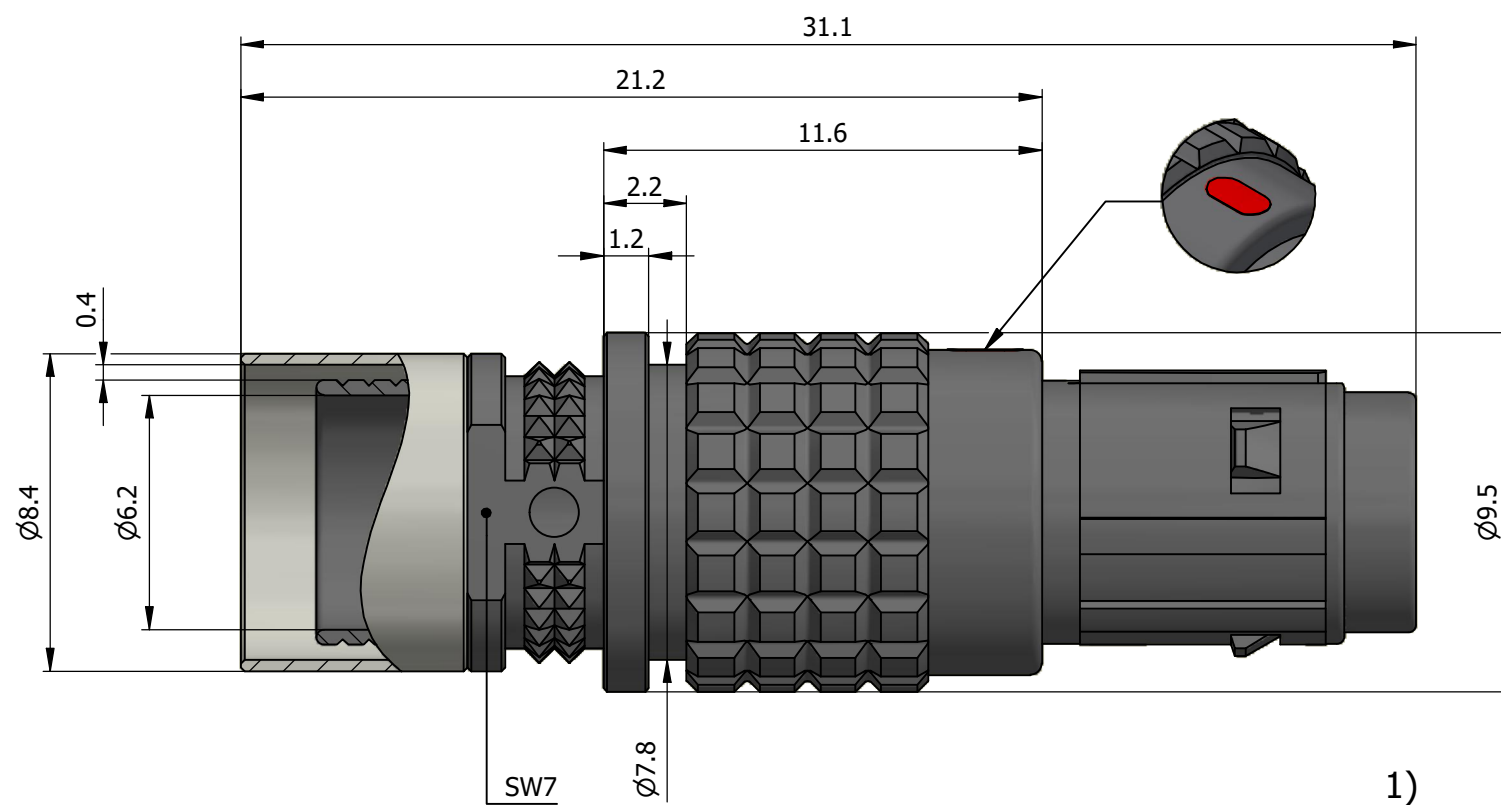
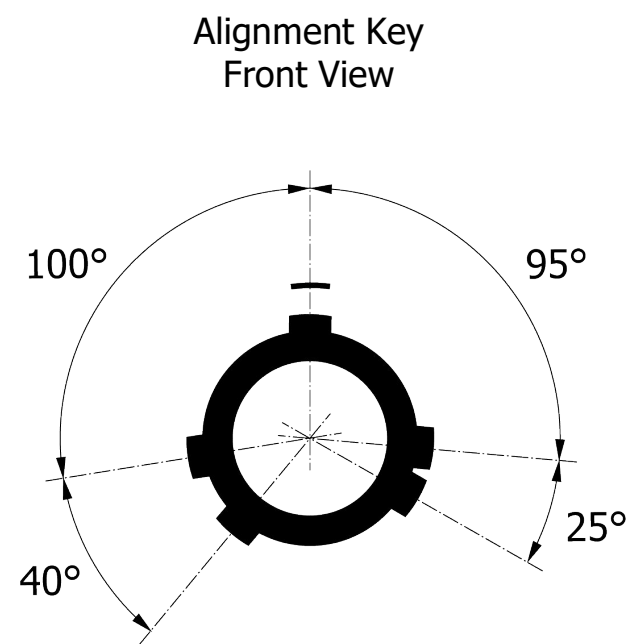
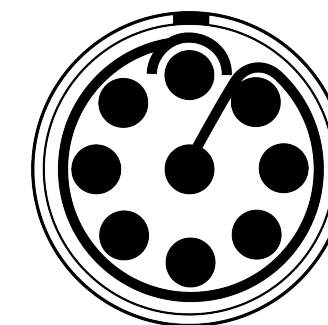


All dimensions are in millimeters (mm)



Insert Configuration
Rear View



Note:

1) This picture is generic and for illustrative purposes only, and may show different keying, materials, colour, finish, and contact configuration. Minor shape or feature variations to actual item may be present.

All additional information are documented on the datasheet (See below link or QR Code)
www.lemo.com/pdf/FGR.0D.309.FLAE64.pdf

Model	Alignment Key	Series	Insert Config.	Housing	Insulator	Contact	Collet Type	Cable Code	Variant
FGR	.0D	.309	.FLAE	64					

Datasheet



Straight plug, Push-pull, cable crimping, for overmolding

Series 0D

LEMO
 LEMO SA
 Chemin des Champs-Courbes 28
 1024 Ecublens - SWITZERLAND

Tel. (+41) 21 695 16 00
 email : info@lemo.com
 www.lemo.com

CD

Drawn	06.09.2024	MARI / MARI
Checked	10.10.2025	OBAR
Modified	03	10.10.2025 / MARI
DO NOT SCALE DRAWING		

FGR.0D.309.FLAE64