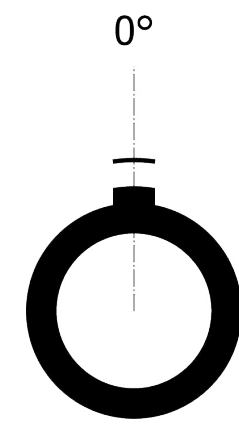
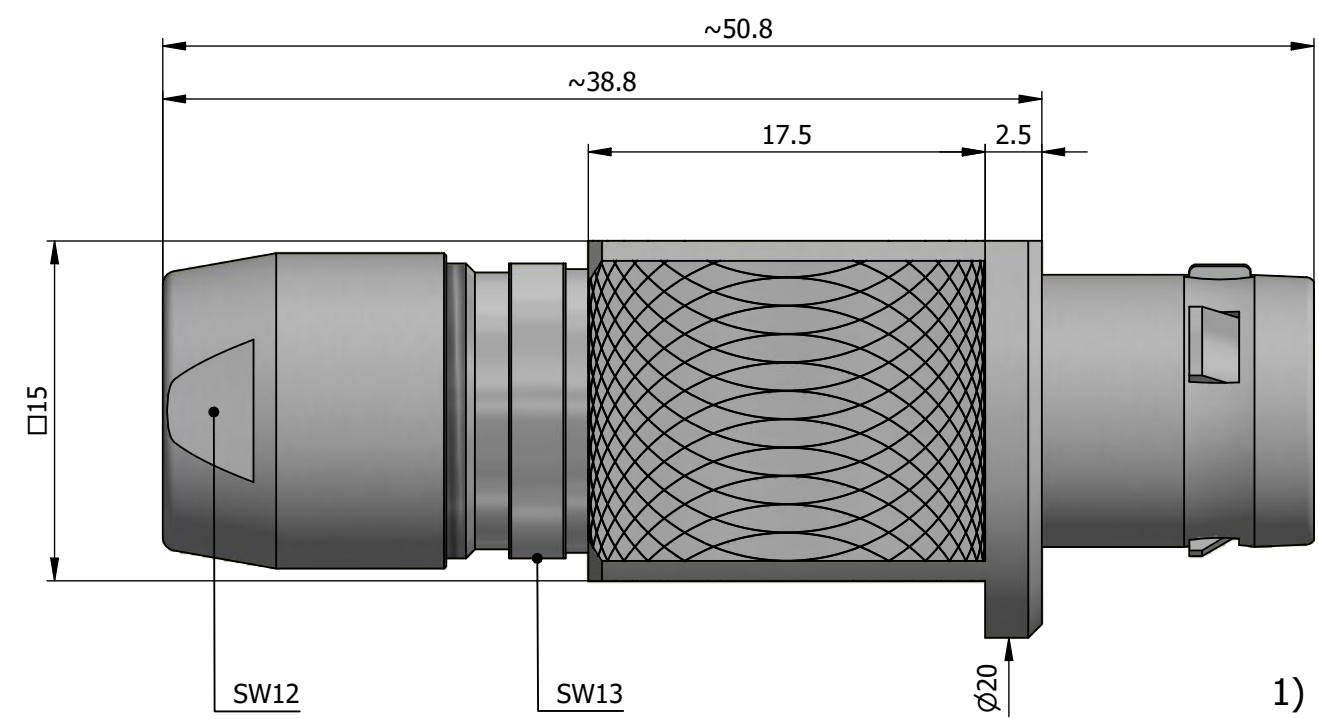
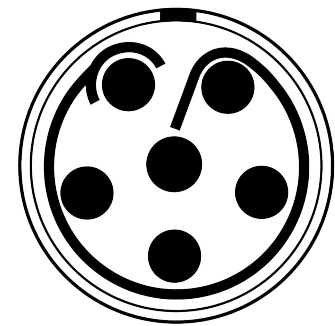


All dimensions are in millimeters (mm)

Alignment Key  
Front View



Insert Configuration  
Rear View



**Note:**

1) This picture is generic and for illustrative purposes only, and may show different keying, materials, colour, finish, and contact configuration. Minor shape or feature variations to actual item may be present.

All additional information are documented on the datasheet (See below link or QR Code)  
[www.lemo.com/pdf/FIG.2B.306.CLAD92.pdf](http://www.lemo.com/pdf/FIG.2B.306.CLAD92.pdf)

Model Alignment Key Series Insert Config. Housing Insulator Contact Collet Type Cable Ø Variant

**FIG. 2B. 306. CLAD92**

	<b>Straight plug for remote handling, knurled handling surface, cable collet</b> Series 2B		Drawn 04.11.2022 MARI / MARI
	 LEMO SA Chemin des Champs-Courbes 28 1024 Ecublens - SWITZERLAND		Checked 04.11.2022 MARI
	Tel. (+41 21) 695 16 00 email : info@lemo.com www.lemo.com		Modified 00 04.11.2022 / MARI
	CD		DO NOT SCALE DRAWING

**FIG.2B.306.CLAD92**