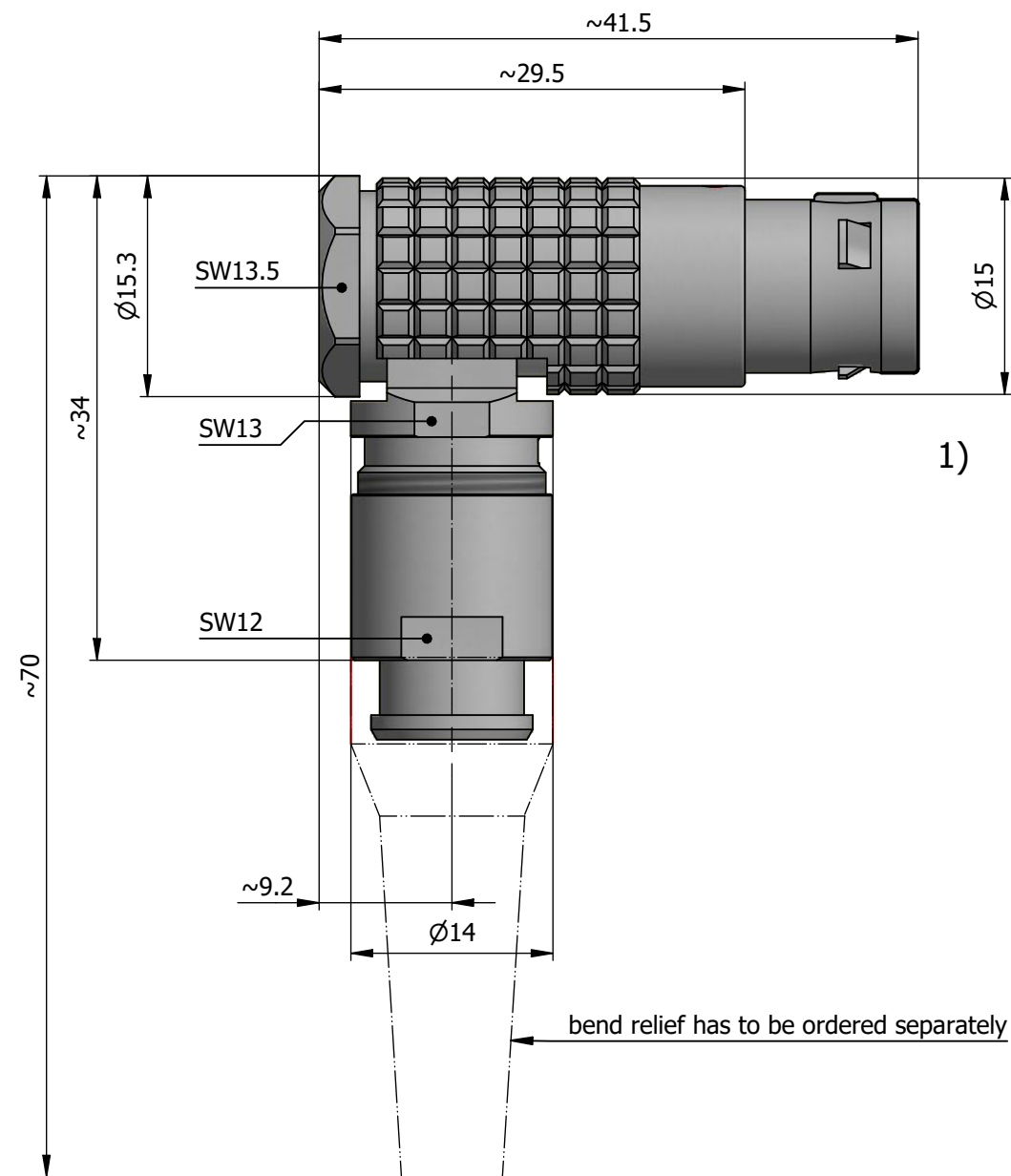
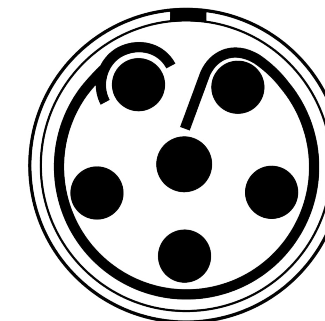


All dimensions are in millimeters (mm)

Alignment Key  
Front View



Insert Configuration  
Rear View



**Note:**

1) This picture is generic and for illustrative purposes only, and may show different keying, materials, colour, finish, and contact configuration. Minor shape or feature variations to actual item may be present.

All additional information are documented on the datasheet (See below link or QR Code)  
[www.lemo.com/pdf/FPA.2B.306.CLAD62Z.pdf](http://www.lemo.com/pdf/FPA.2B.306.CLAD62Z.pdf)

Model	Alignment Key	Series	Insert Config.	Housing	Insulator	Contact	Collet Type	Cable $\phi$	Variant
FPA	.2B	.306	.CLAD62Z						

Datasheet



**Elbow (90°) plug with cable collet for bend relief**  
Series 2B

**LEMO**  
LEMO SA  
Chemin des Champs-Courbes 28  
1024 Ecublens - SWITZERLAND

Tel. (+41 21) 695 16 00  
email : [info@lemo.com](mailto:info@lemo.com)  
[www.lemo.com](http://www.lemo.com)

CD

Drawn	29.04.2022	MARI / MARI
Checked	29.04.2022	OBAR
Modified	00	29.04.2022 / MARI
DO NOT SCALE DRAWING		

**FPA.2B.306.CLAD62Z**