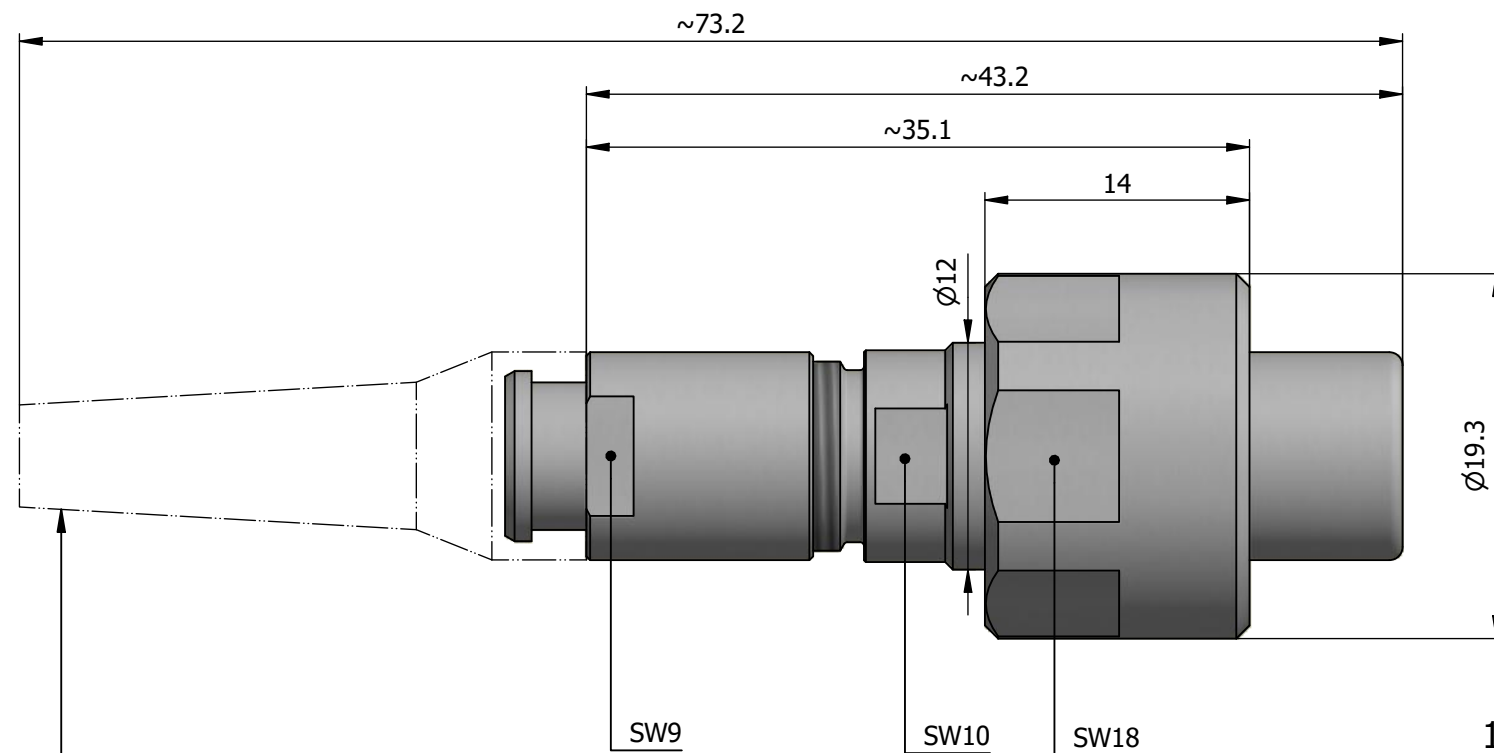
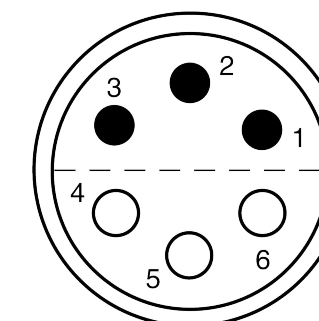


All dimensions are in millimeters (mm)

Alignment Key
Front View



Insert Configuration
Rear View



bend relief has to be ordered separately

Note:

1) This picture is generic and for illustrative purposes only, and may show different keying, materials, colour, finish, and contact configuration. Minor shape or feature variations to actual item may be present.

All additional information are documented on the datasheet (See below link or QR Code)
www.lemo.com/pdf/FVN.1V.306.SLAC50Z.pdf

Model Alignment Key Series Insert Config. Housing Insulator Contact Collet Type Cable Ø Variant
FVN.1V.306.SLAC50Z

 Datasheet	Straight plug, cable collet and nut for fitting a bend relief Series 1V		Drawn 08.06.2023 MARI / MARI
	 LEMO SA Chemin des Champs-Courbes 28 1024 Ecublens - SWITZERLAND		Checked 08.06.2023 OBAR
	Tel. (+41) 21 695 16 00 email : info@lemo.com www.lemo.com		Modified 00 08.06.2023 / MARI
	CD		DO NOT SCALE DRAWING

FVN.1V.306.SLAC50Z