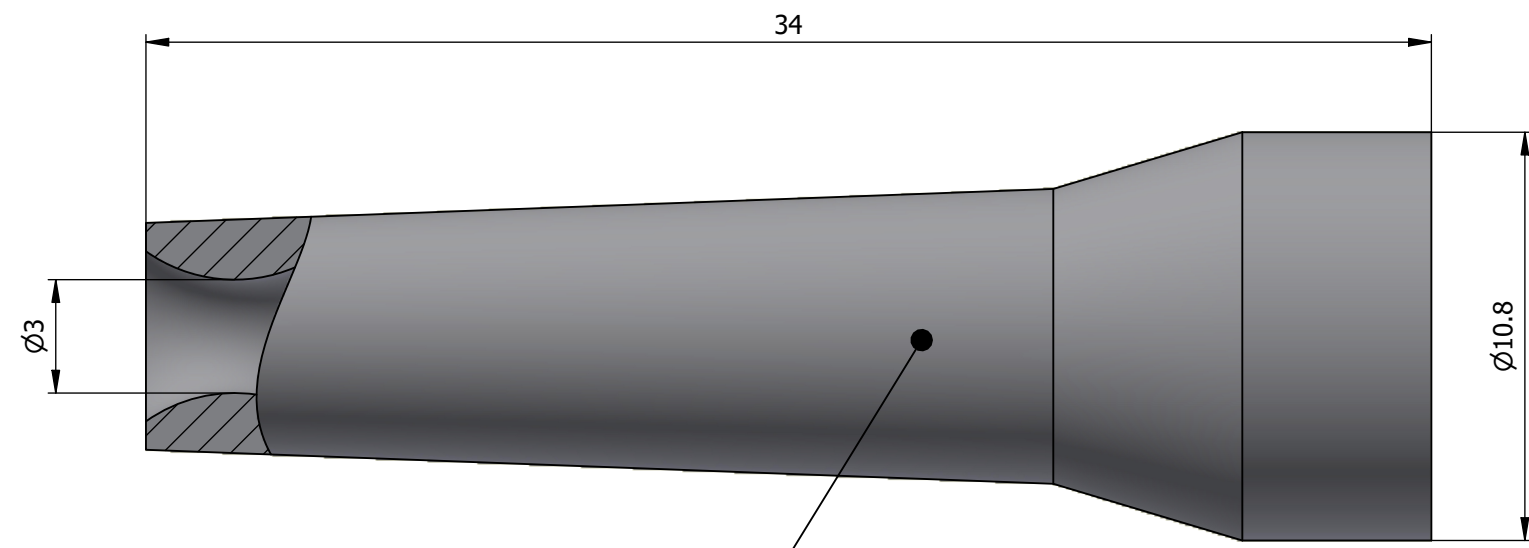
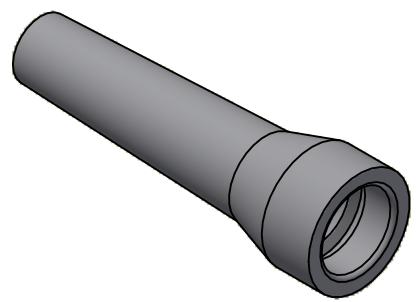


All dimensions are in millimeters (mm)



Color defined in the datasheet




All additional information are documented on the datasheet (See below link or QR Code)
www.lemo.com/pdf/GMA.1B.030.RG.pdf



Bend relief (Silicone), for cable
Ø3.0min.-Ø3.4max.
 Series 1B

Drawn	20.09.2024	MARI/MARI
Checked	20.09.2024	OBAR
Modified	00	20.09.2024/MARI
DO NOT SCALE DRAWING		

 LEMO SA
 Chemin des Champs-Courbes 28
 1024 Ecublens - SWITZERLAND

Tel. (+41) 21 695 16 00
 email : info@lemo.com
 www.lemo.com

CD

GMA.1B.030.RG