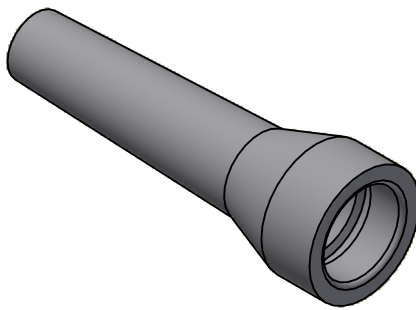
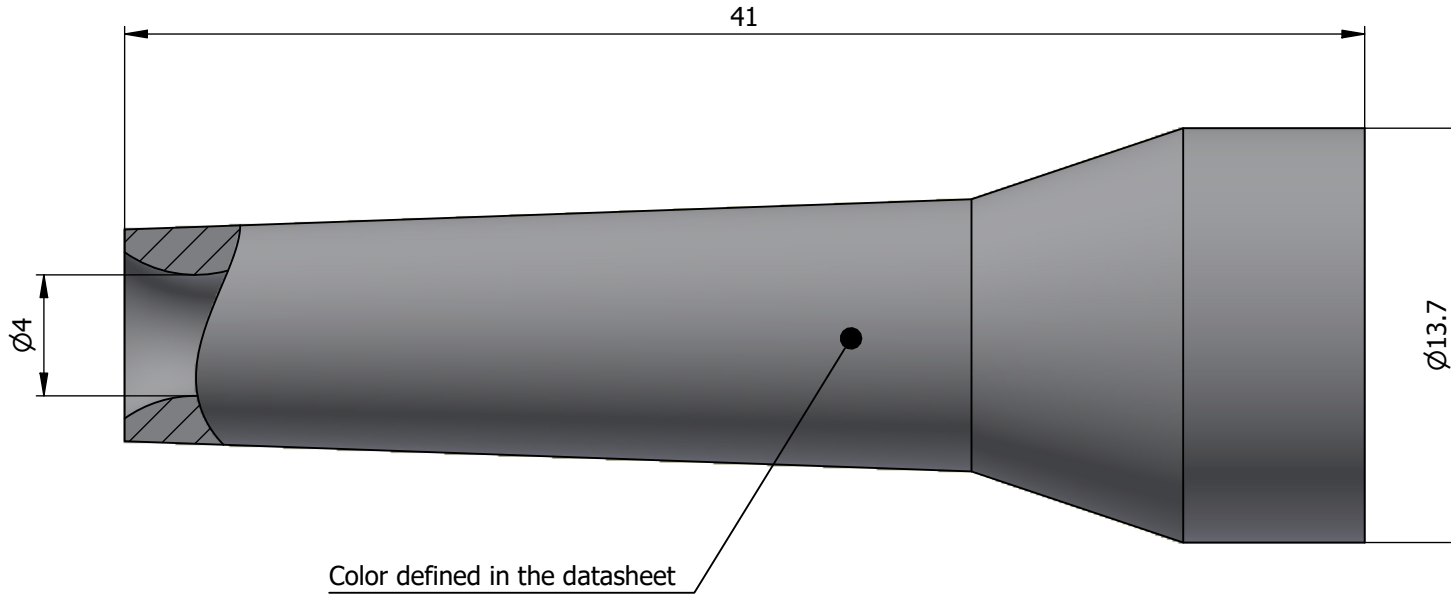





All dimensions are in millimeters (mm)



All additional information are documented on the datasheet (See below link or QR Code)
www.lemo.com/pdf/GMA.2B.040.RG.pdf

	Bend relief (Silicone), for cable Ø4.0min.-Ø4.4max. Series 2B		Drawn	20.09.2024	MARI/MARI
			Checked	20.09.2024	OBAR
	Modified	00	20.09.2024/MARI		
	 DO NOT SCALE DRAWING				
 LEMO SA Chemin des Champs-Courbes 28 1024 Ecublens - SWITZERLAND		Tel. (+41) 21 695 16 00 email : info@lemo.com www.lemo.com	CD	GMA.2B.040.RG	