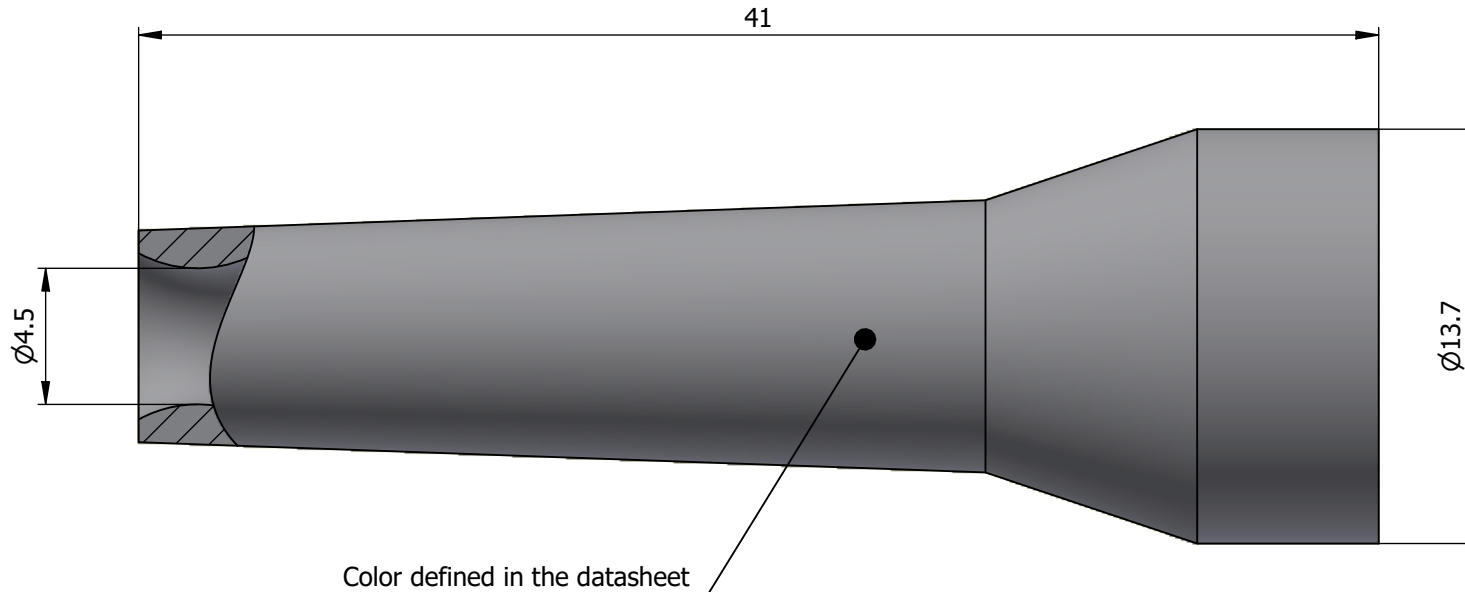
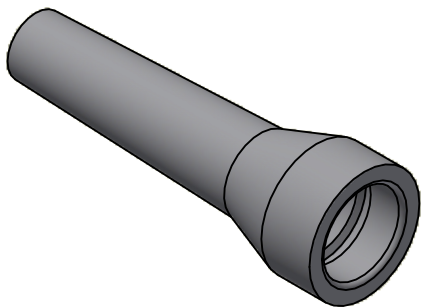


All dimensions are in millimeters (mm)



Color defined in the datasheet



All additional information are documented on the datasheet (See below link or QR Code)
www.lemo.com/pdf/GMA.2B.045.RA.pdf

Datasheet



Bend relief (Silicone), for cable

Ø4.5min.-Ø5.0max.

Series 2B



LEMO SA
 Chemin des Champs-Courbes 28
 1024 Ecublens - SWITZERLAND

Tel. (+41) 21 695 16 00
 email : info@lemo.com
 www.lemo.com

CD

Drawn	20.09.2024	MARI/MARI
Checked	20.09.2024	OBAR
Modified	00	20.09.2024/MARI
DO NOT SCALE DRAWING		

GMA.2B.045.RA