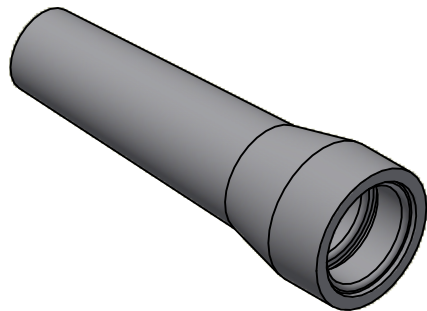
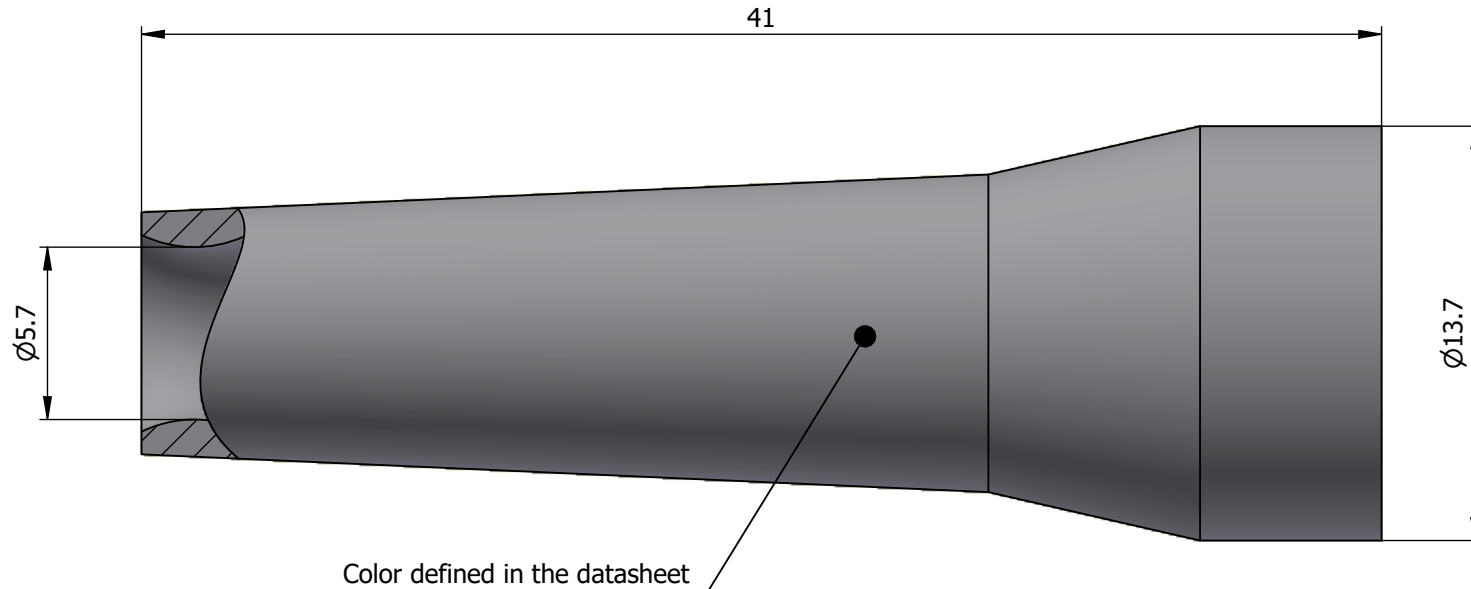




All dimensions are in millimeters (mm)



All additional information are documented on the datasheet (See below link or QR Code)  
[www.lemo.com/pdf/GMA.2B.057.RG.pdf](http://www.lemo.com/pdf/GMA.2B.057.RG.pdf)

<p>Datasheet</p> 	<p><b>Bend relief (Silicone), for cable</b></p> <p><b>Ø5.7min.-Ø6.2max.</b></p> <p>Series 2B</p>		<p>Drawn 20.09.2024 MARI/MARI</p>
	<p>LEMOS SA          Chemin des Champs-Courbes 28          1024 Ecublens - SWITZERLAND</p>		<p>Checked 20.09.2024 OBAR</p>
	<p>Tel. (+41) 21 695 16 00          email : info@lemo.com          www.lemo.com</p>		<p>Modified 00 20.09.2024/MARI</p>
	<p> <b>LEMO</b></p>		<p>DO NOT SCALE DRAWING</p>
<p>CD</p>		<p><b>GMA.2B.057.RG</b></p>	