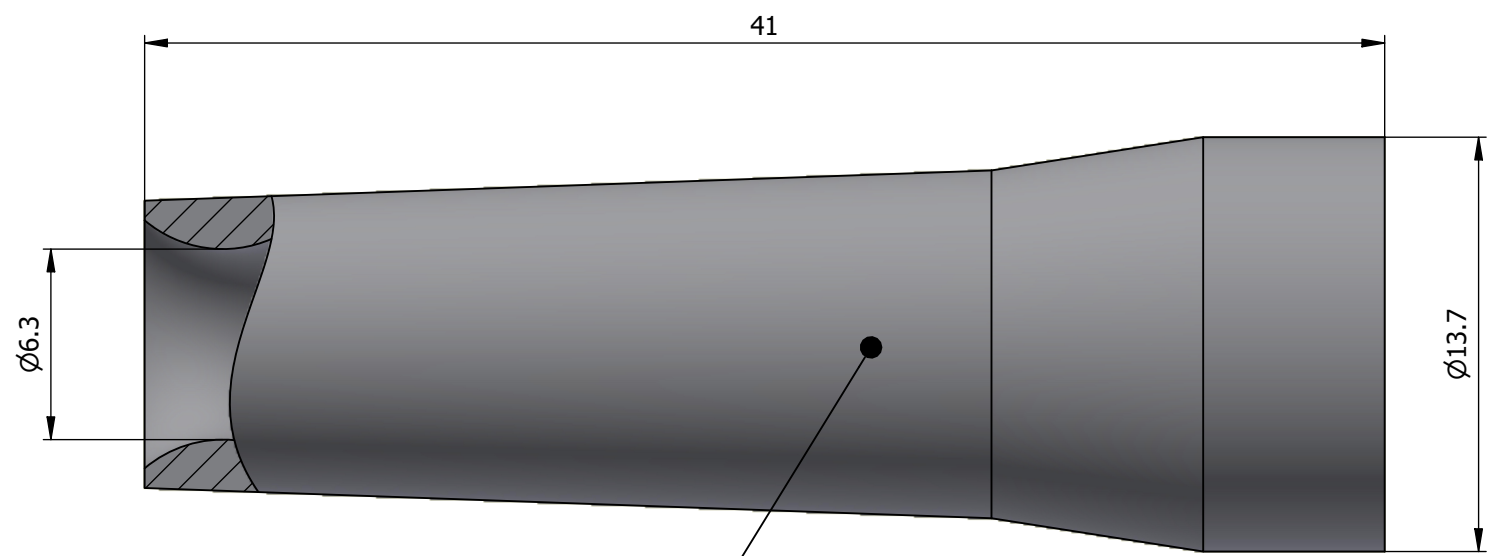
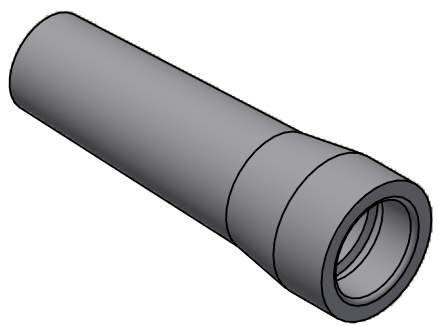




All dimensions are in millimeters (mm)



Color defined in the datasheet



All additional information are documented on the datasheet (See below link or QR Code)
www.lemo.com/pdf/GMA.2B.063.RR.pdf

Datasheet 	Bend relief (Silicone), for cable		Drawn	09.04.2008	OVU/RMO
	Ø6.3min.-Ø7.0max.		Checked	20.09.2024	OBAR
	Series 2B		Modified	01	20.09.2024/MARI
			DO NOT SCALE DRAWING		
 LEMO SA Chemin des Champs-Courbes 28 1024 Ecublens - SWITZERLAND		Tel. (+41) 21 695 16 00 email : info@lemo.com www.lemo.com		CD	GMA.2B.063.RR