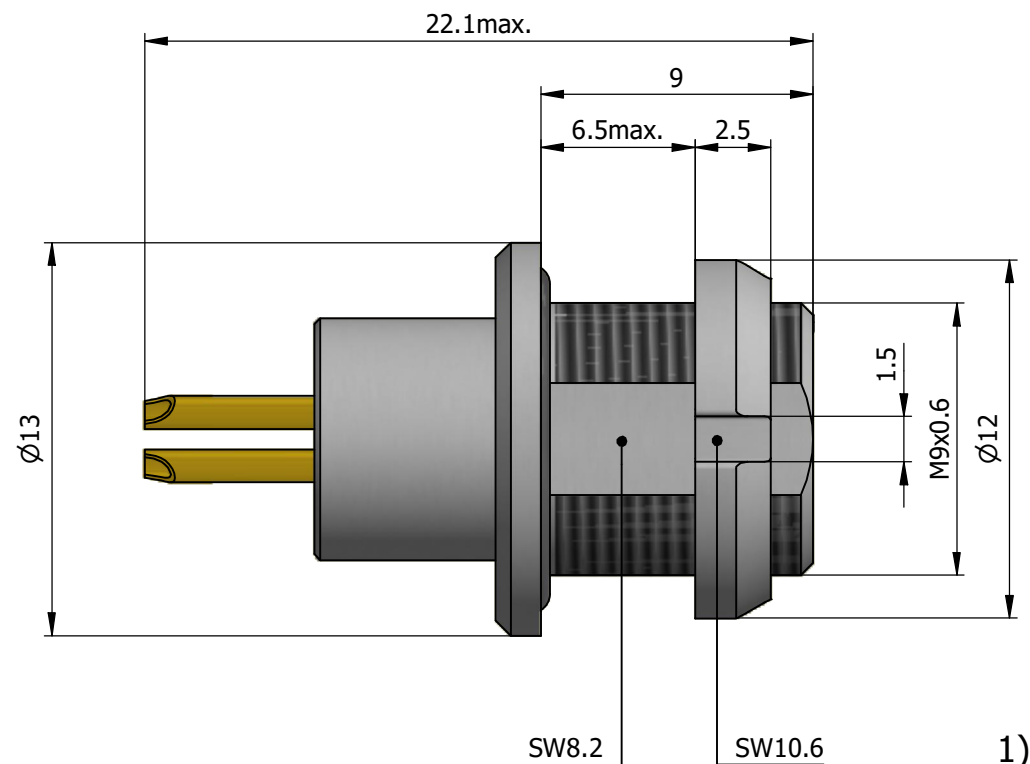
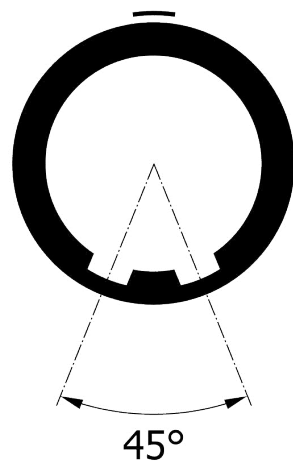
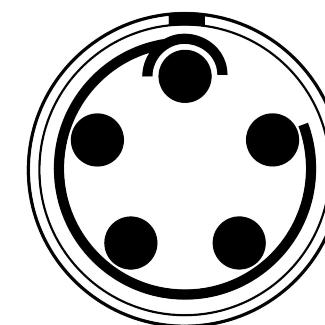


All dimensions are in millimeters (mm)

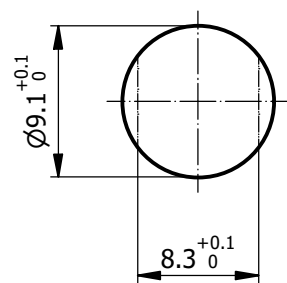
Alignment Key
Front View



Insert Configuration
Rear View



Recommended Panel Cut-Out



Mounting nut torque (Nm)
Metal shell = 2.5
Plastic shell = 0.4

Note:

1) This picture is generic and for illustrative purposes only, and may show different keying, materials, colour, finish, and contact configuration. Minor shape or feature variations to actual item may be present.

All additional information are documented on the datasheet (See below link or QR Code)
www.lemo.com/pdf/HEJ.0B.305.KLAP.pdf

Model Alignment Key Series Insert Config. Housing Insulator Contact Variant
HEJ . 0B . 305 . KLAP

 Datasheet	Fixed socket, nut fixing (back panel mounting) Series 0B		Drawn 10.08.2022 MARI / MARI
	 LEMO SA Chemin des Champs-Courbes 28 1024 Ecublens - SWITZERLAND		Checked 21.01.2026 OBAR
Tel. (+41 21) 695 16 00 email : info@lemo.com www.lemo.com		Modified 01 21.01.2026 / JMIG	DO NOT SCALE DRAWING
CD		HEJ.0B.305.KLAP	