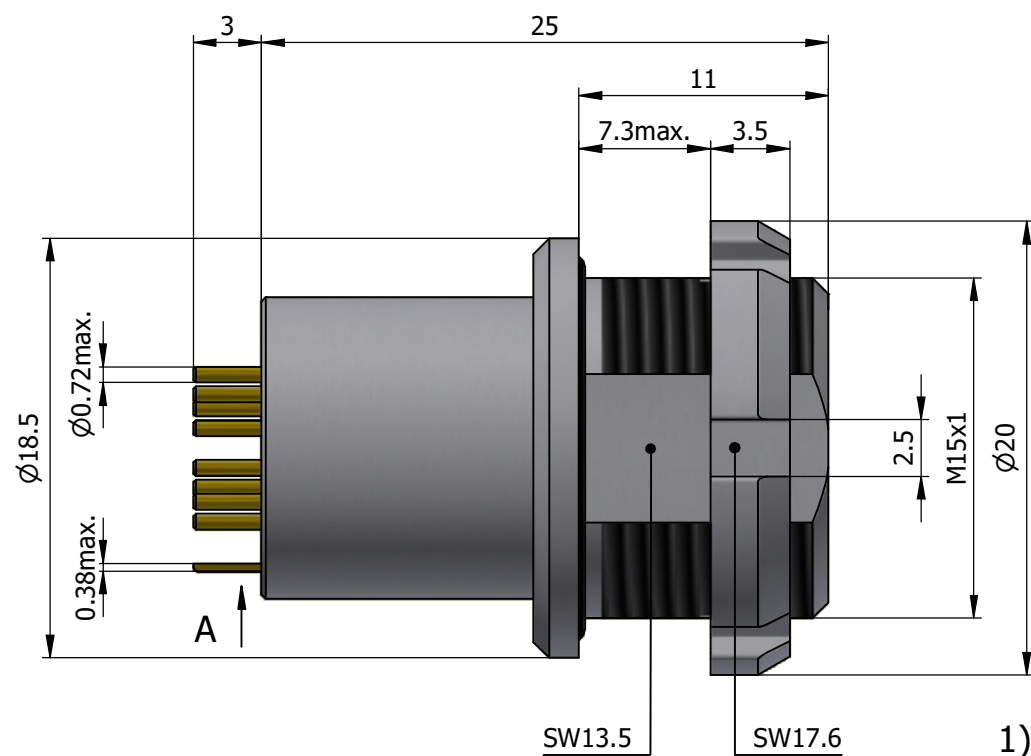
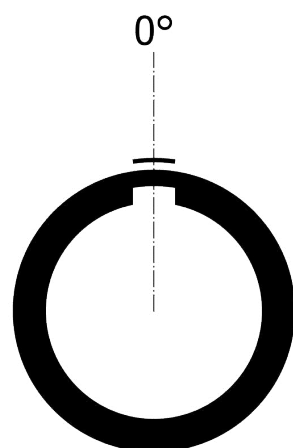
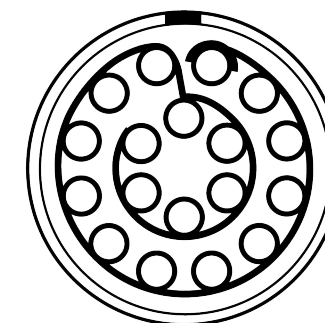


All dimensions are in millimeters (mm)

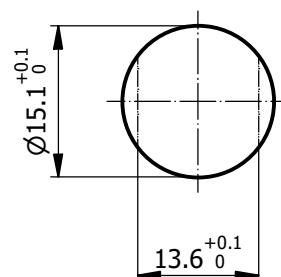
Alignment Key
Front View



Insert Configuration
Rear View

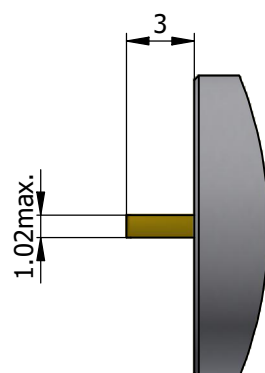


Recommended Panel Cut-Out

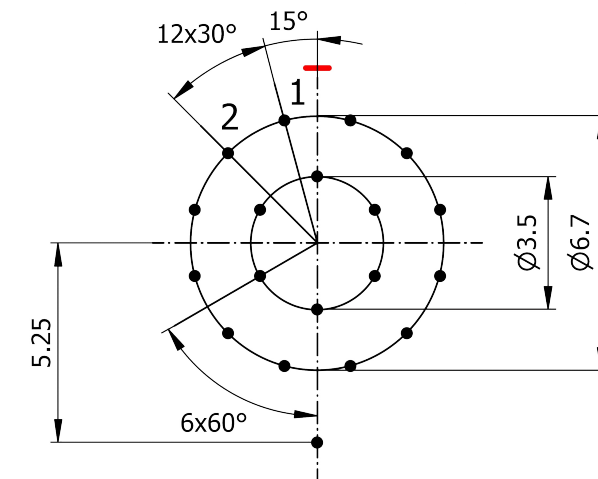


Mounting nut torque (Nm)
Metal shell = 6.0
Plastic shell = 0.8

View A



Recommended PCB Layout
PCB Top View



Note:

1) This picture is generic and for illustrative purposes only, and may show different keying, materials, colour, finish, and contact configuration. Minor shape or feature variations to actual item may be present.

All additional information are documented on the datasheet (See below link or QR Code)
www.lemo.com/pdf/HMG.2T.318.CLNP.pdf

PRELIMINARY

L0-L1-L2 Status
Drawing subject to change

Model Alignment Key Series Insert Config. Housing Insulator Contact Variant
HMG.2T.318.CLNP

Datasheet



Fixed socket, nut fixing, for PCB (back panel mounting)

Series 2T

LEMO LEMO SA
Chemin des Champs-Courbes 28
1024 Ecublens - SWITZERLAND

Tel. (+41) 21 695 16 00
email : info@lemo.com
www.lemo.com

CD

Drawn	20.08.2024	TCIT / TCIT
Checked	19.01.2026	OBAR
Modified	01	19.01.2026 / MARI
DO NOT SCALE DRAWING		

HMG.2T.318.CLNP