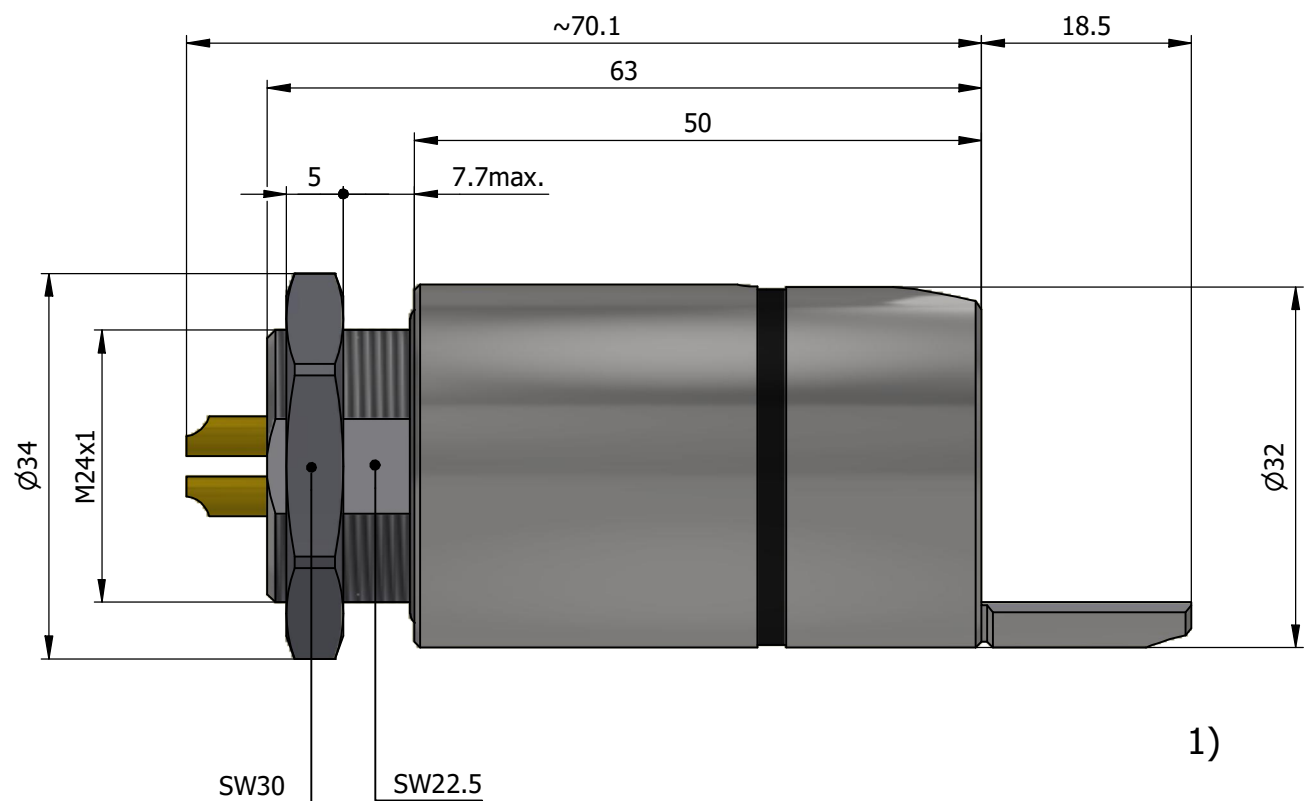
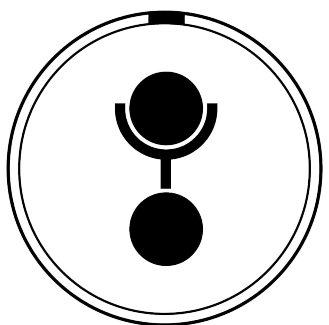


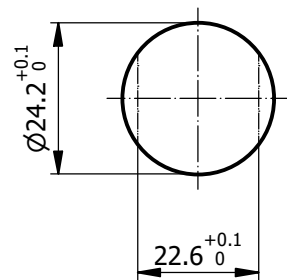
All dimensions are in millimeters (mm)



Insert Configuration  
Rear View



Recommended Panel Cut-Out



Mounting nut torque (Nm)  
Metal shell = 12.0

Note:

1) This picture is generic and for illustrative purposes only, and may show different keying, materials, colour, finish, and contact configuration. Minor shape or feature variations to actual item may be present.

All additional information are documented on the datasheet (See below link or QR Code)  
[www.lemo.com/pdf/HSG.3N.302.TLAPV.pdf](http://www.lemo.com/pdf/HSG.3N.302.TLAPV.pdf)

Model Series Insert Config. Housing Insulator Contact Variant  
HSG.3N.302.TLAPV

Datasheet



**Fixed socket, with long pre-positioning sleeve,  
without earthing crown**  
Series 3N

**LEMO** LEMO SA  
Chemin des Champs-Courbes 28  
1024 Ecublens - SWITZERLAND

Tel. (+41) 21 695 16 00  
email : info@lemo.com  
www.lemo.com

CD

Drawn	11.08.2025	JMIG / JMIG
Checked	11.08.2025	OBAR
Modified	00	11.08.2025 / JMIG
DO NOT SCALE DRAWING		

**HSG.3N.302.TLAPV**