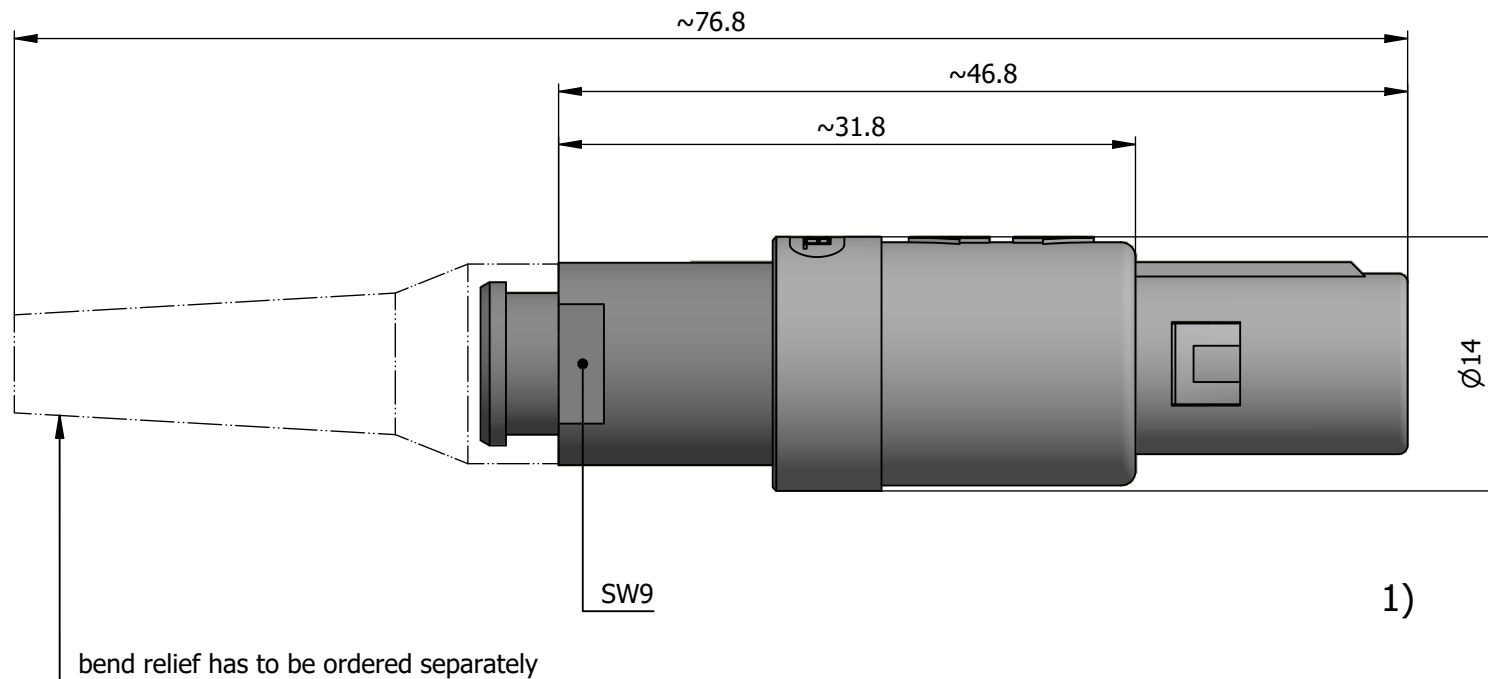
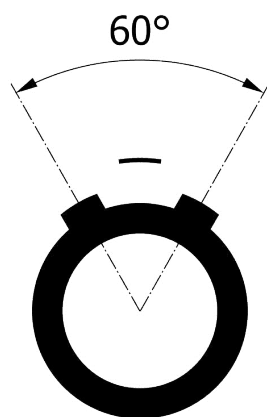
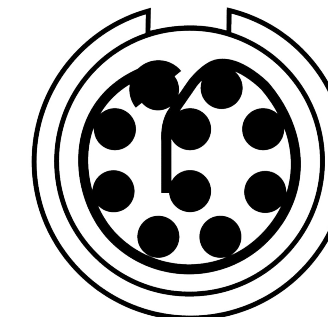


All dimensions are in millimeters (mm)

Alignment Key  
Front View



Insert Configuration  
Rear View



**Note:**

1) This picture is generic and for illustrative purposes only, and may show different keying, materials, colour, finish, and contact configuration. Minor shape or feature variations to actual item may be present.

All additional information are documented on the datasheet (See below link or QR Code)  
[www.lemo.com/pdf/PAB.M1.ONL.AC52AZ.pdf](http://www.lemo.com/pdf/PAB.M1.ONL.AC52AZ.pdf)

Model Alignment Key Insert Config. Housing Insulator Contact Collet Type Cable Ø Collet Nut Color Variant  
**PAB.M1.ONL.AC52AZ**

<p>Datasheet</p>	<p><b>Straight plug, cable collet and nut for fitting a bend relief</b></p> <p>Series 1P</p>		<p>Drawn 28.06.2024 MARI / MARI</p>
	<p>LEMO SA Chemin des Champs-Courbes 28 1024 Ecublens - SWITZERLAND</p>		<p>Checked 28.06.2024 OBAR</p>
	<p>Tel. (+41) 21 695 16 00 email : info@lemo.com www.lemo.com</p>		<p>Modified 00 28.06.2024 / MARI</p>
	<p>CD</p>		<p>DO NOT SCALE DRAWING</p>
<p><b>PAB.M1.ONL.AC52AZ</b></p>			