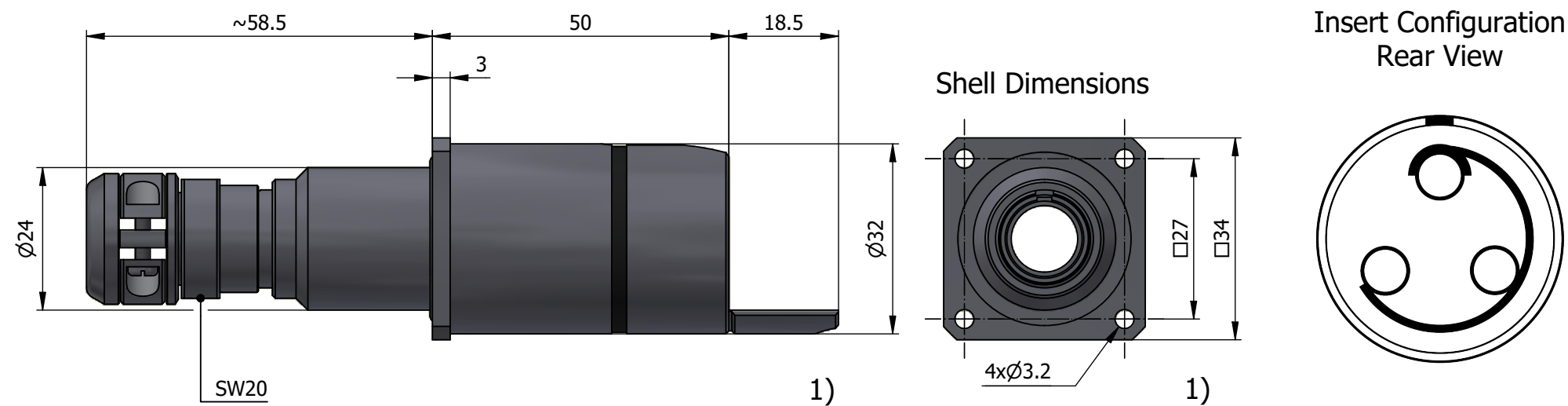
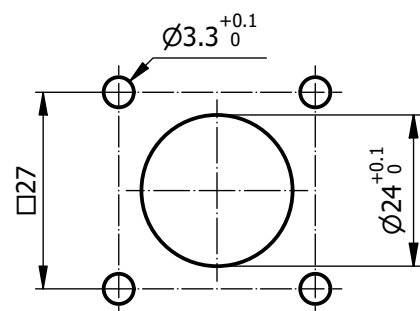


All dimensions are in millimeters (mm)



Recommended Panel Cut-Out



Note:

1) This picture is generic and for illustrative purposes only, and may show different keying, materials, colour, finish, and contact configuration. Minor shape or feature variations to actual item may be present.

All additional information are documented on the datasheet (See below link or QR Code)  
[www.lemo.com/pdf/PBG.3N.303.TLLY85.pdf](http://www.lemo.com/pdf/PBG.3N.303.TLLY85.pdf)

Model	Series	Insert Config.	Housing	Insulator	Contact	Collet Type	Cable $\varnothing$	Variant
PBG.3N.303.TLLY85								

Datasheet



**Fixed socket with square flange, 4 screws fixing, with long pre-positioning sleeve**

Series 3N

**LEMO**  
 LEMO SA  
 Chemin des Champs-Courbes 28  
 1024 Ecublens - SWITZERLAND

Tel. (+41) 21 695 16 00  
 email : info@lemo.com  
 www.lemo.com

CD

Drawn	17.02.2021	OVU / NHA
Checked	24.01.2024	OBAR
Modified	01	24.01.2024 / MARI
DO NOT SCALE DRAWING		

**PBG.3N.303.TLLY85**