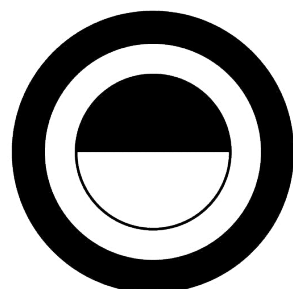
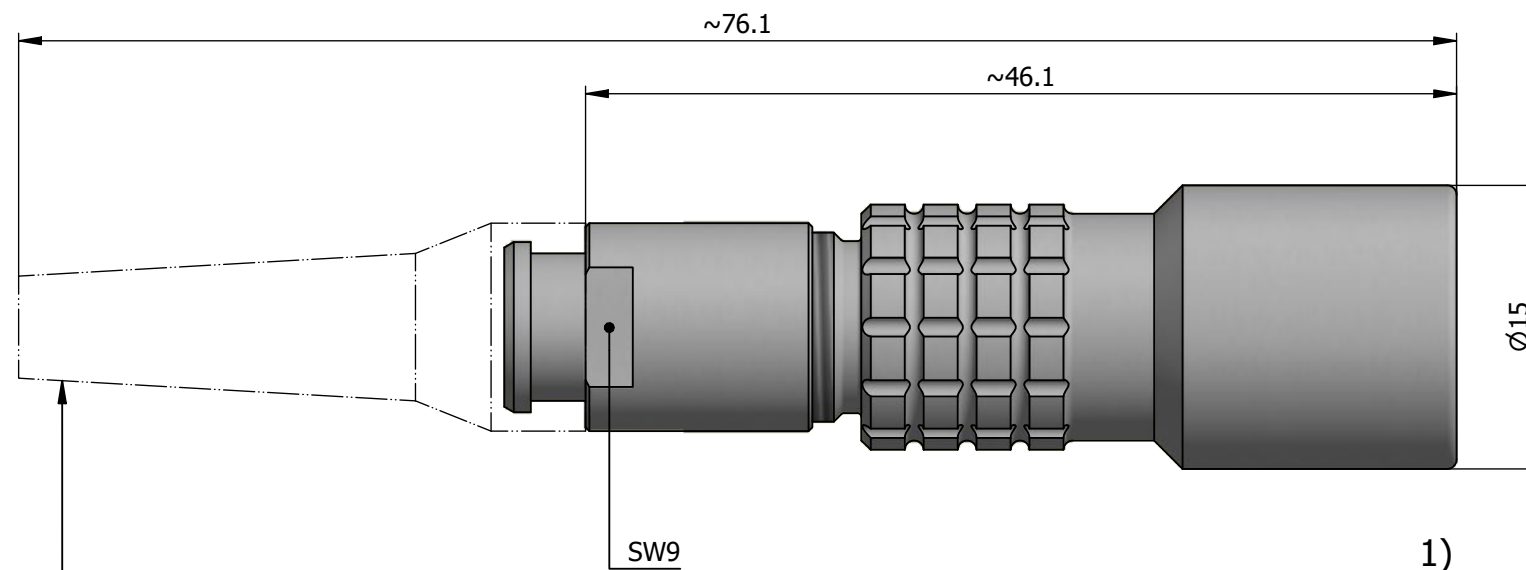
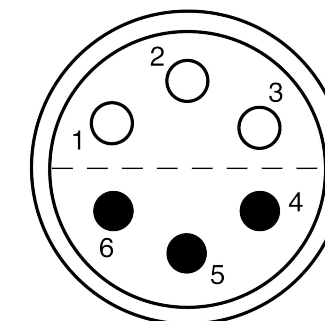


All dimensions are in millimeters (mm)

Alignment Key
Front View



Insert Configuration
Rear View



bend relief has to be ordered separately

Note:

1) This picture is generic and for illustrative purposes only, and may show different keying, materials, colour, finish, and contact configuration. Minor shape or feature variations to actual item may be present.

All additional information are documented on the datasheet (See below link or QR Code)
www.lemo.com/pdf/PCA.1E.306.CLLC45Z.pdf

Model	Series	Insert Config.	Housing	Insulator	Contact	Collet Type	Cable Ø	Variant
PCA	1E	306	CLLC	45Z				

<p>Datasheet</p>	<p>Free socket, cable collet and nut for fitting a bend relief</p> <p>Series 1E</p>		<p>Drawn 17.08.2022 MARI / MARI</p>
	<p>LEMO</p> <p>LEMO SA Chemin des Champs-Courbes 28 1024 Ecublens - SWITZERLAND</p>		<p>Checked 17.08.2022 OBAR</p>
	<p>Tel. (+41) 21 695 16 00 email : info@lemo.com www.lemo.com</p>		<p>Modified 00 17.08.2022 / MARI</p>
<p>CD</p>		<p>DO NOT SCALE DRAWING</p>	
<p>PCA.1E.306.CLLC45Z</p>			