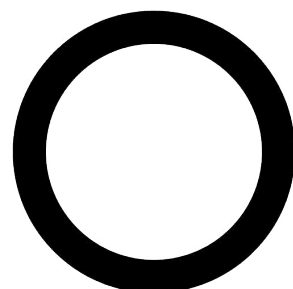
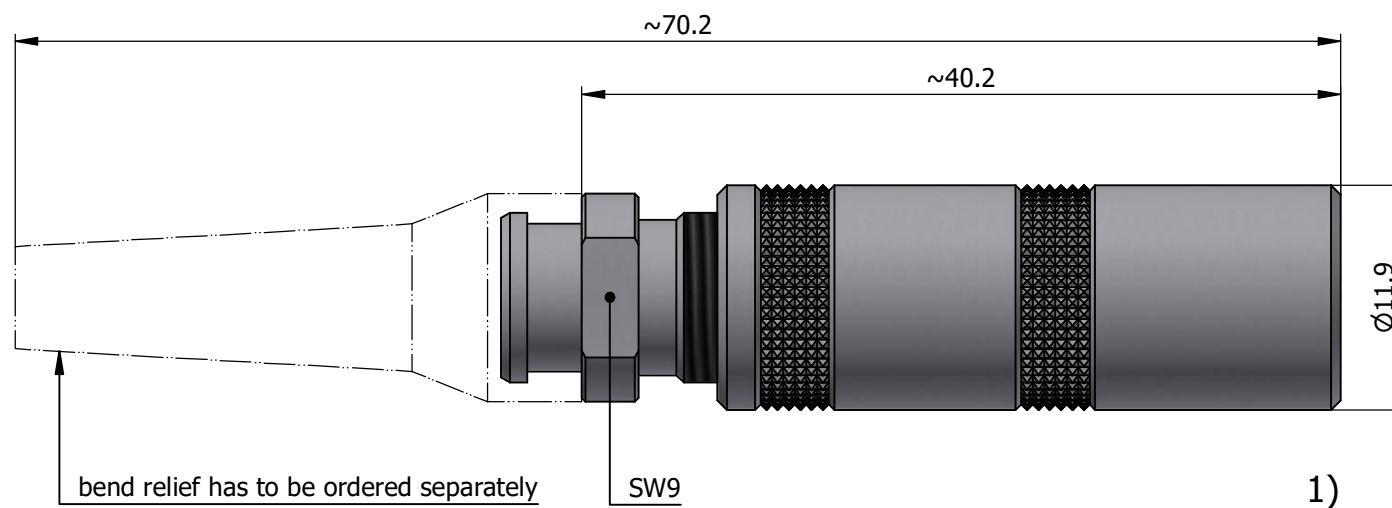
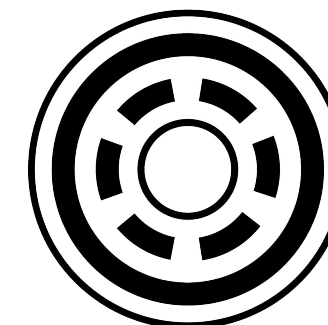


All dimensions are in millimeters (mm)

Alignment Key  
Front View



Insert Configuration  
Rear View



**Note:**

1) This picture is generic and for illustrative purposes only, and may show different keying, materials, colour, finish, and contact configuration. Minor shape or feature variations to actual item may be present.

All additional information are documented on the datasheet (See below link or QR Code)  
[www.lemo.com/pdf/PCA.1S.650.CTLC52Z.pdf](http://www.lemo.com/pdf/PCA.1S.650.CTLC52Z.pdf)

Model: PCA  
 Series: 1S  
 Insert Config.: 650  
 Housing: CT  
 Insulator: TL  
 Contact: C  
 Collet Type: 5  
 Cable Ø: 2  
 Variant: Z

Datasheet



**Free socket, cable collet and nut for fitting a bend relief**

Series 1S



**LEMO**

LEMO SA  
 Chemin des Champs-Courbes 28  
 1024 Ecublens - SWITZERLAND

Tel. (+41 21) 695 16 00  
 email : info@lemo.com  
 www.lemo.com

CD

Drawn	25.11.2008	OVU / RMO
Checked	08.04.2026	OBAR
Modified	02	08.04.2026 / MARI
DO NOT SCALE DRAWING		

**PCA.1S.650.CTLC52Z**