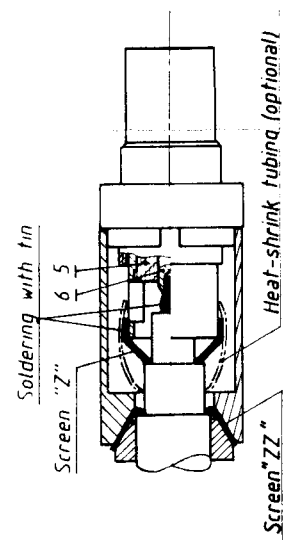
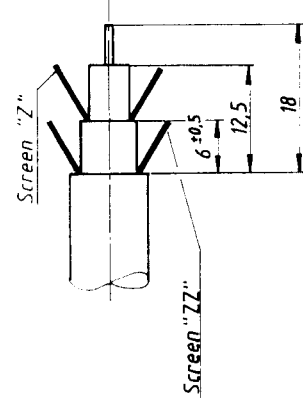


N°	Specification	Material	Treatment (µm)
14	O-Ring	Silicone	
13	Insert	Teflon PTFE	
12	Washer	Brass	Ni (3)
11	Female sleeve	Brass	Ni (3) - Au (1,5)
10	Collet	Brass	Ni (3)
9	Gasket	Silicone	
8	Earthing cone	Brass	Ni (3)
7	Earthing sleeve	Brass	Ni (3)
6	Female contact	Bronze	Ni (3) - Au (2)
5	Insert	Teflon PTFE	
4	Insert ring	Brass	Ni (3)
3	Collet nut	Brass	Ni (3) - Cr (0,3)
2	Earthing crown	Brass	Ni (3)
1	Outershell	Brass	Ni (3) - Cr (0,3)

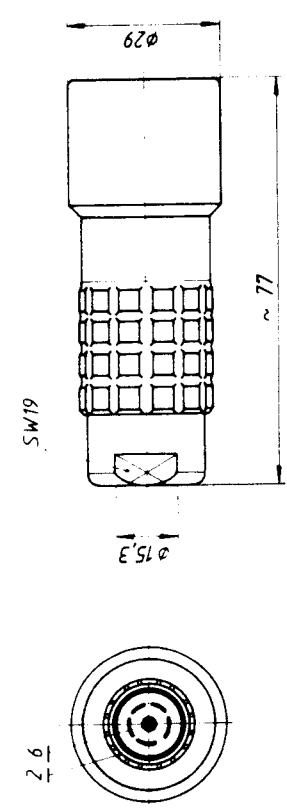
Cable assembly



Cable stripping



Dimensions



Assembly instructions

- 1) Strip cable according to the given lengths
- 2) Slide collet nut, collet, washer, gasket and earthing cone on the cable.
- 3) Introduce conductor into contact and sold
- 4) Sold the screen "Z" over male sleeve
- 5) Fold screen "ZZ" back over earthing cone
- 6) Mount the two halves of the split insert carrier
- 7) Push insert assembly into connector housing
- 8) Screw collet nut on

Free socket with cable collet



PCA.4E.675.CTLC..

03.10.89 M.D.