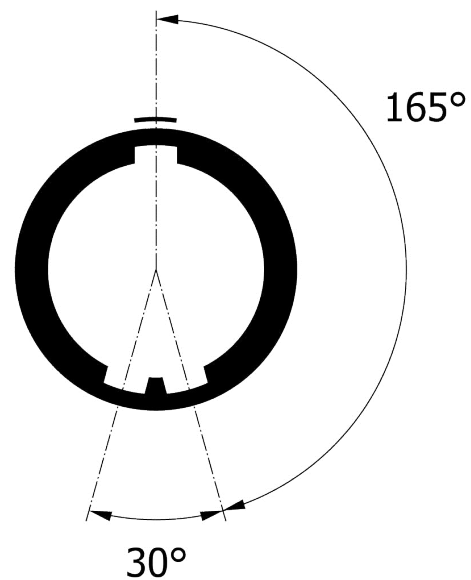
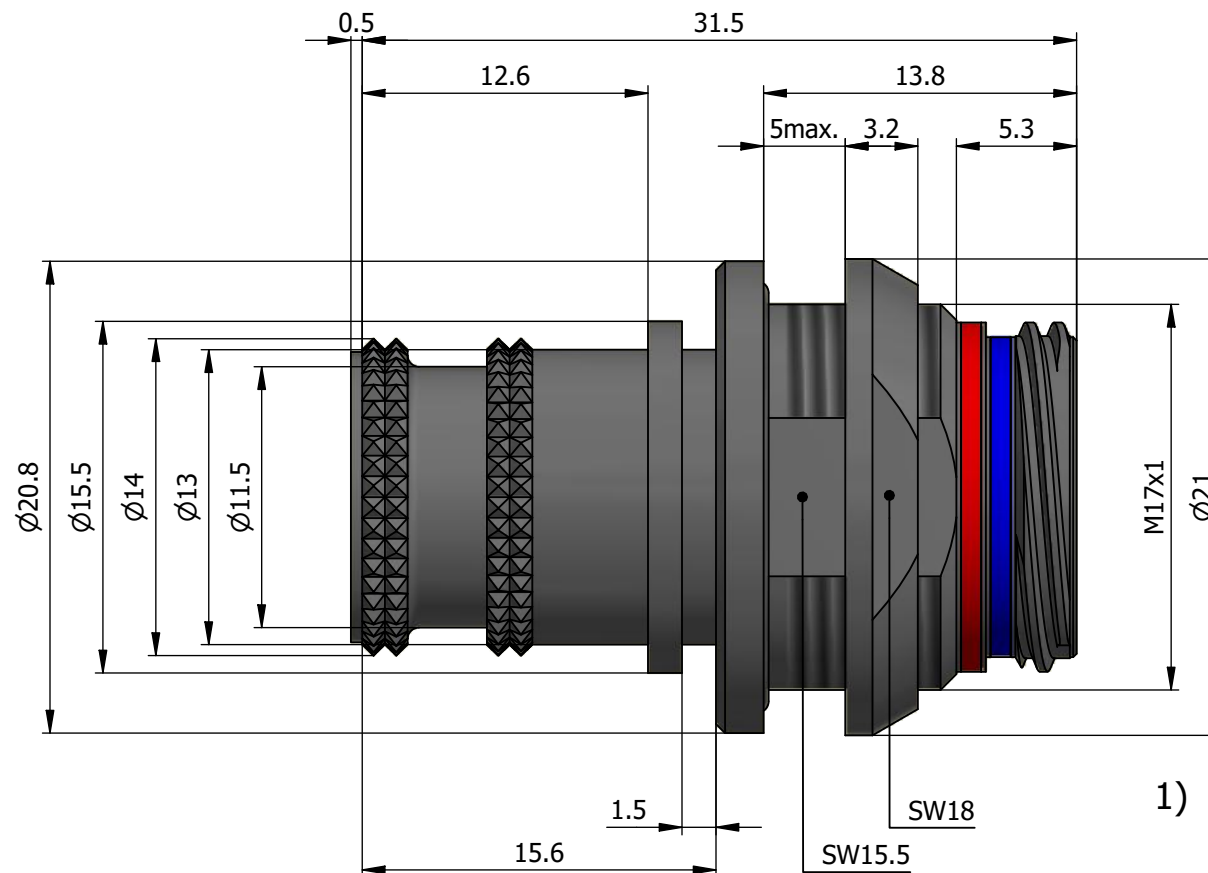
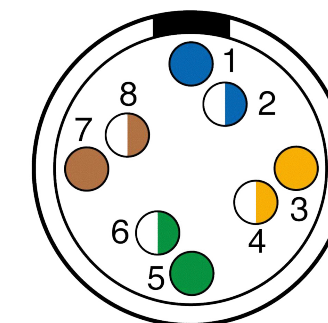


All dimensions are in millimeters (mm)

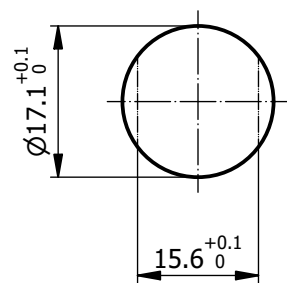
Alignment Key  
Front View



Insert Configuration  
Rear View



Recommended Panel Cut-Out



Mounting nut torque (Nm)  
Metal shell = 2.0

**Note:**

1) This picture is generic and for illustrative purposes only, and may show different keying, materials, colour, finish, and contact configuration. Minor shape or feature variations to actual item may be present.

All additional information are documented on the datasheet (See below link or QR Code)  
[www.lemo.com/pdf/PEN.2M.514.XLMT6.pdf](http://www.lemo.com/pdf/PEN.2M.514.XLMT6.pdf)

|                  |               |        |                |         |           |         |         |              |
|------------------|---------------|--------|----------------|---------|-----------|---------|---------|--------------|
| Model            | Alignment Key | Series | Insert Config. | Housing | Insulator | Contact | Variant | Cable $\phi$ |
| PEN.2M.514.XLMT6 |               |        |                |         |           |         |         |              |

Datasheet



**Fixed socket, nut fixing, with mold stop (back panel mounting)**

Series 2M

**LEMO**  
LEMO SA  
Chemin des Champs-Courbes 28  
1024 Ecublens - SWITZERLAND

Tel. (+41 21) 695 16 00  
email : [info@lemo.com](mailto:info@lemo.com)  
[www.lemo.com](http://www.lemo.com)

CD

|                      |            |                   |
|----------------------|------------|-------------------|
| Drawn                | 28.10.2022 | MARI / MARI       |
| Checked              | 28.10.2022 | MARI              |
| Modified             | 00         | 28.10.2022 / MARI |
| DO NOT SCALE DRAWING |            |                   |

**PEN.2M.514.XLMT6**