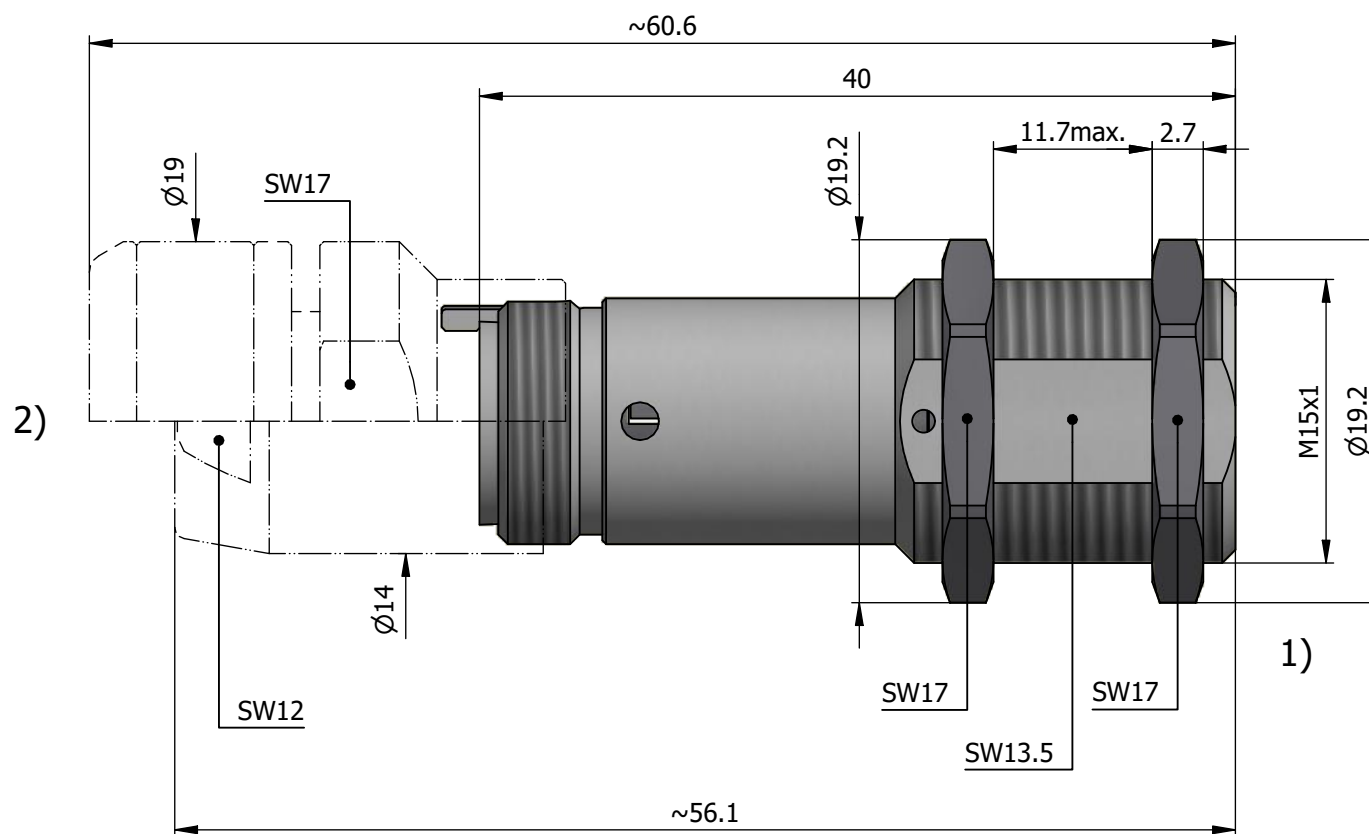
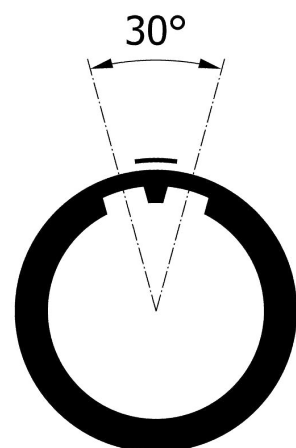
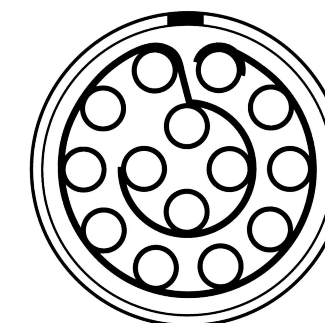


All dimensions are in millimeters (mm)

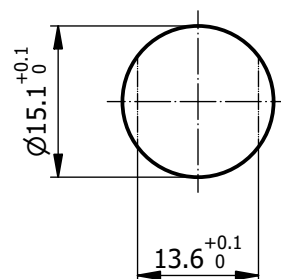
Alignment Key
Front View



Insert Configuration
Rear View



Recommended Panel Cut-Out



Mounting nut torque (Nm)
Metal shell = 6.0
Plastic shell = 0.8

Note:

- 1) This picture is generic and for illustrative purposes only, and may show different keying, materials, colour, finish, and contact configuration. Minor shape or feature variations to actual item may be present.
- 2) Kit collet has to be ordered separately. Option A (Top Representation) : FGB.2B.7__.UZZQ
Option B (Bottom Representation) : FGA.2B.7__.SNN

All additional information are documented on the datasheet (See below link or QR Code)
www.lemo.com/pdf/PFA.2B.314.JEZYZZQ.pdf

PRELIMINARY
L0-L1-L2 Status
Drawing subject to change

Model	Alignment Key	Series	Insert Config.	Housing	Insulator	Contact	Collet Type	Cable Ø	Variant
PFA	.2B	.314	.JEZYZZQ						

Datasheet



Fixed socket, with two nuts without cable collet kit (back panel mounting), custom cleaning and packaging process
Series 2B

LEMO
LEMO SA
Chemin des Champs-Courbes 28
1024 Ecublens - SWITZERLAND

Tel. (+41 21) 695 16 00
email : info@lemo.com
www.lemo.com

CD

Drawn	02.06.2021	MARI/OBAR
Checked	02.06.2021	OBAR
Modified	00	02.06.2021/MARI
DO NOT SCALE DRAWING		

PFA.2B.314.JEZYZZQ