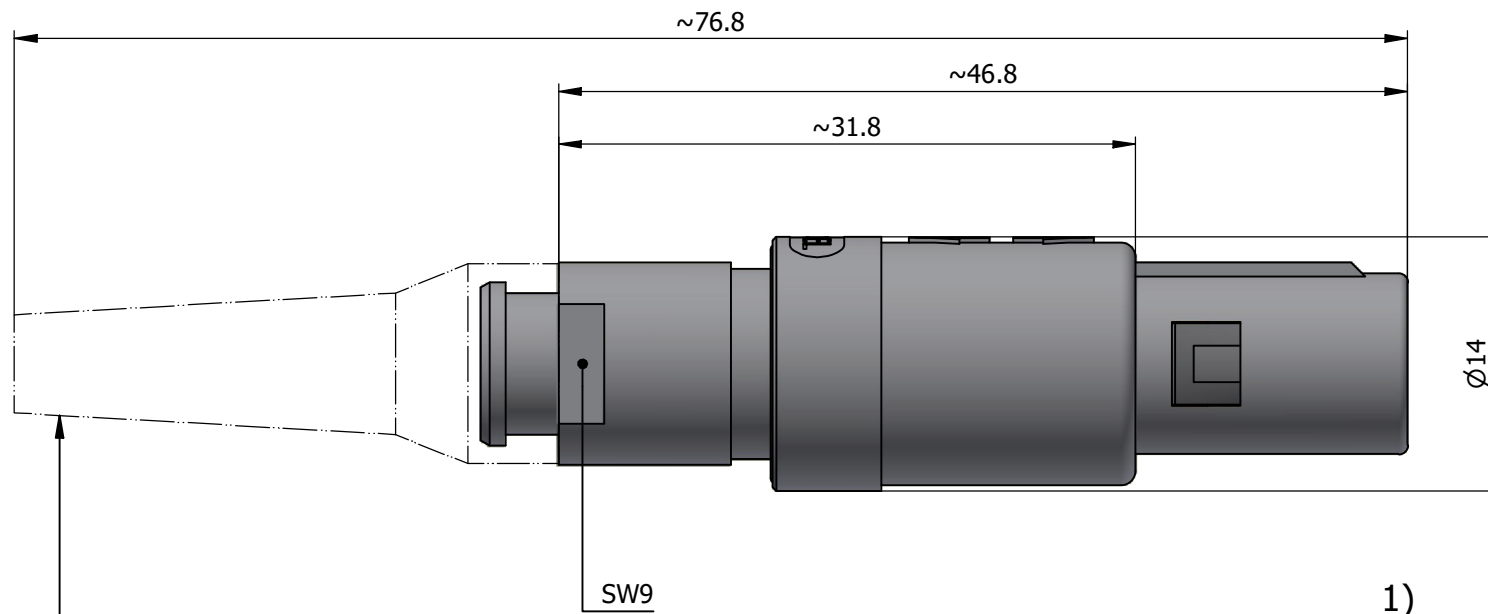
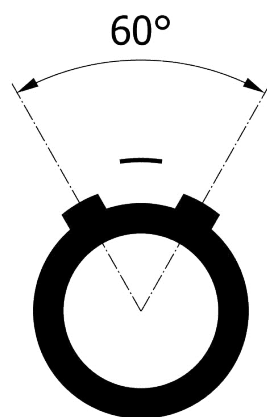
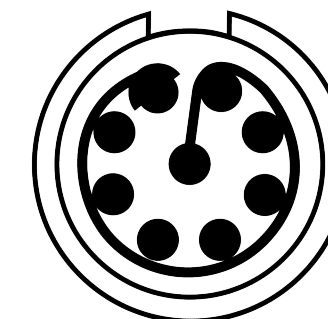


All dimensions are in millimeters (mm)

Alignment Key
Front View



Insert Configuration
Rear View



bend relief has to be ordered separately

Note:

1) This picture is generic and for illustrative purposes only, and may show different keying, materials, colour, finish, and contact configuration. Minor shape or feature variations to actual item may be present.

All additional information are documented on the datasheet (See below link or QR Code)
www.lemo.com/pdf/PFB.M0.9GL.AC52RZ.pdf

Model	Alignment Key	Insert Config.	Housing Insulator	Contact Collet Type	Cable Ø	Collet Nut Color Variant
PFB	.M0	.9GL	.AC	52RZ		

Datasheet



Straight plug, IP64 water-resistant, cable collet and nut for fitting a bend relief

Series 1P



LEMO SA
 Chemin des Champs-Courbes 28
 1024 Ecublens - SWITZERLAND

Tel. (+41) 21 695 16 00
 email : info@lemo.com
 www.lemo.com

CD

Drawn	18.11.2024	MARI/MARI
Checked	18.11.2024	OBAR
Modified	00	18.11.2024/MARI
DO NOT SCALE DRAWING		

PFB.M0.9GL.AC52RZ