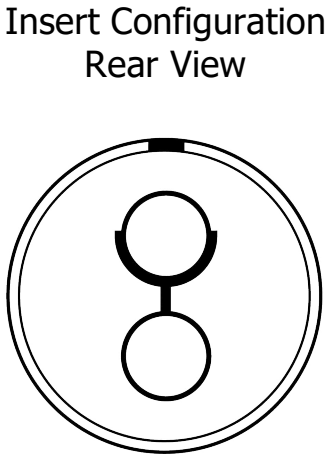
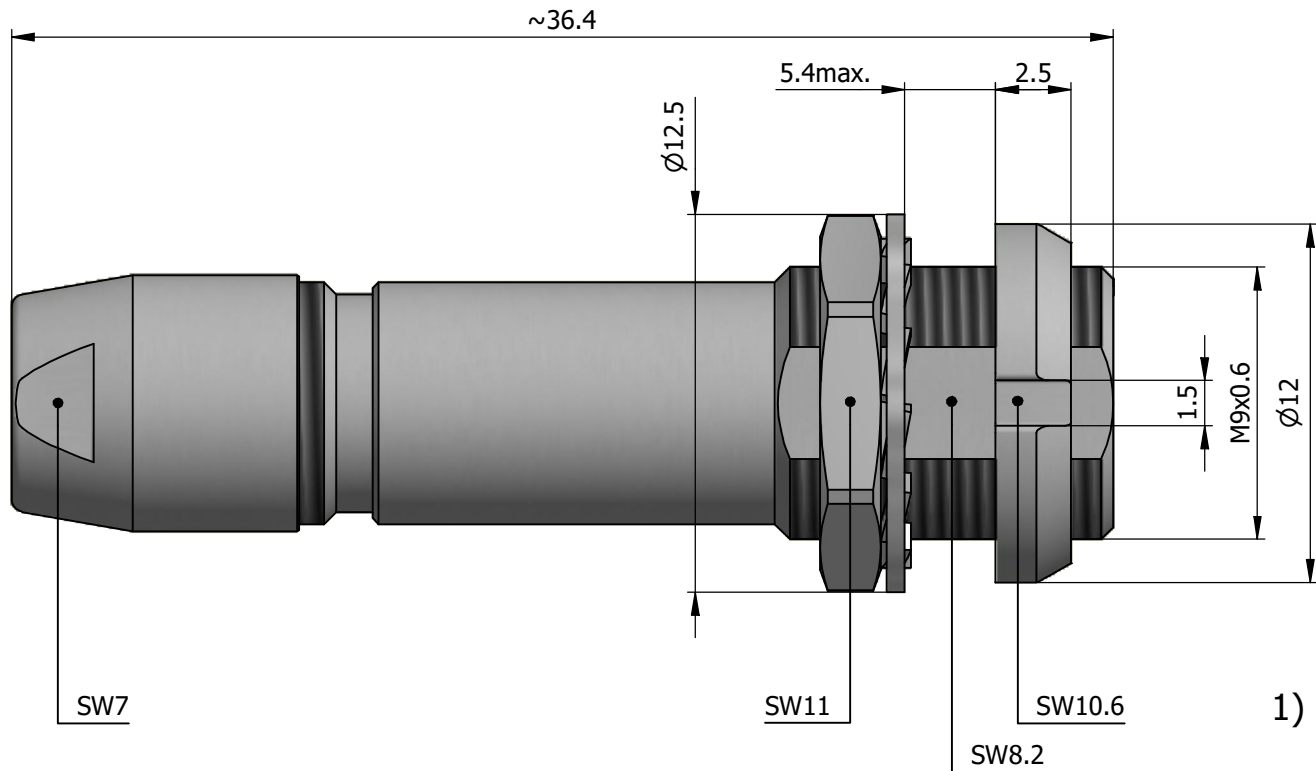
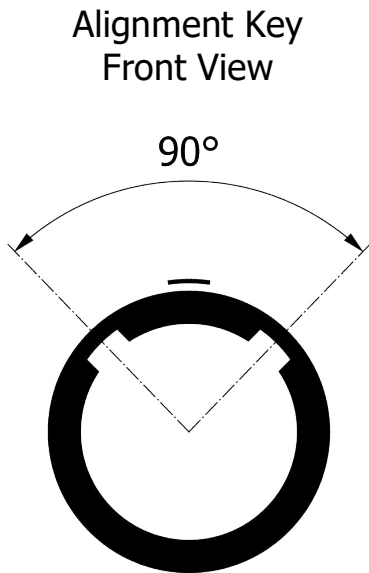
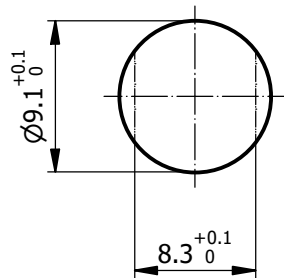


All dimensions are in millimeters (mm)



Recommended Panel Cut-Out



Mounting nut torque (Nm)  
Metal shell = 2.5  
Plastic shell = 0.4

Note:

1) This picture is generic and for illustrative purposes only, and may show different keying, materials, colour, finish, and contact configuration. Minor shape or feature variations to actual item may be present.

All additional information are documented on the datasheet (See below link or QR Code)  
[www.lemo.com/pdf/PFC.0B.302.CYMD32.pdf](http://www.lemo.com/pdf/PFC.0B.302.CYMD32.pdf)

Model Alignment Key Series Insert Config. Housing Insulator Contact Collet Type Cable Ø Variant

PFC.0B.302.CYMD32

<p>Datasheet</p>	<p><b>Fixed socket, with two nuts, cable collet (back panel mounting)</b></p> <p>Series 0B</p>		<p>Drawn 17.12.2024 MARI/MARI</p>
	<p>LEMOS</p> <p>LEMO SA Chemin des Champs-Courbes 28 1024 Ecublens - SWITZERLAND</p>		<p>Checked 17.12.2024 OBAR</p>
	<p>Tel. (+41 21) 695 16 00 email : info@lemo.com www.lemo.com</p>		<p>Modified 00 17.12.2024/MARI</p>
	<p>CD</p>		<p>DO NOT SCALE DRAWING</p>
<p><b>PFC.0B.302.CYMD32</b></p>			<p><b>PFC.0B.302.CYMD32</b></p>