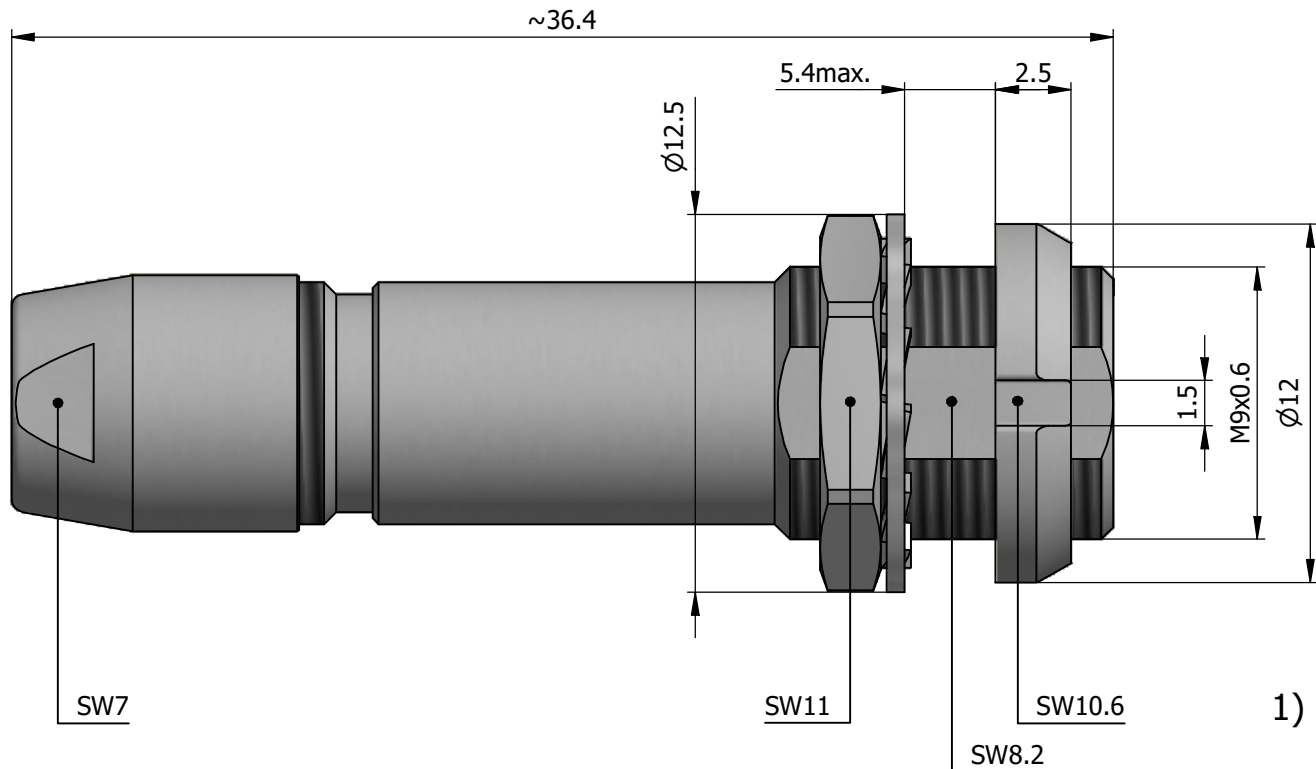
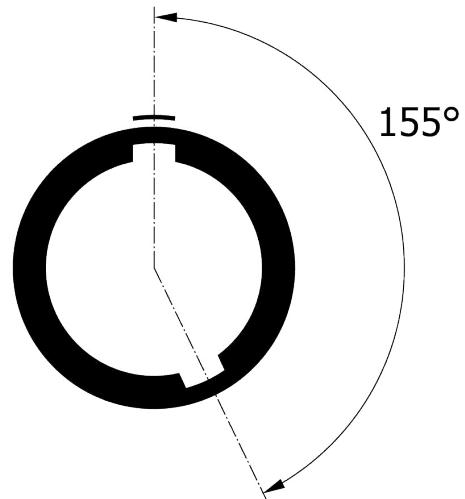
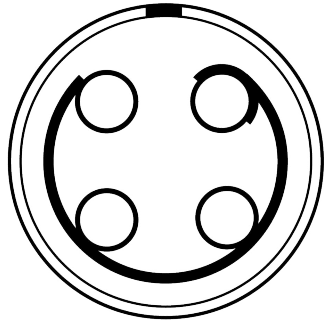


All dimensions are in millimeters (mm)

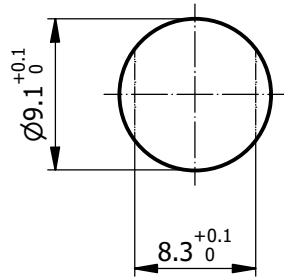
Alignment Key
Front View



Insert Configuration
Rear View



Recommended Panel Cut-Out




Mounting nut torque (Nm)
Metal shell = 2.5
Plastic shell = 0.4

Note:

1) This picture is generic and for illustrative purposes only, and may show different keying, materials, colour, finish, and contact configuration. Minor shape or feature variations to actual item may be present.

All additional information are documented on the datasheet (See below link or QR Code)
www.lemo.com/pdf/PFF.0B.304.CYMD56.pdf

Model Alignment Key Series Insert Config. Housing Insulator Contact Collet Type Cable Ø Variant
PFF.0B.304.CYMD56

	Fixed socket, with two nuts, cable collet (back panel mounting) Series 0B		Drawn 10.02.2009 OVU / JPBA
	 LEMO SA Chemin des Champs-Courbes 28 1024 Ecublens - SWITZERLAND		Checked 17.12.2024 OBAR
Tel. (+41 21) 695 16 00 email : info@lemo.com www.lemo.com		Modified 01 17.12.2024 / MARI	DO NOT SCALE DRAWING
CD		PFF.0B.304.CYMD56	