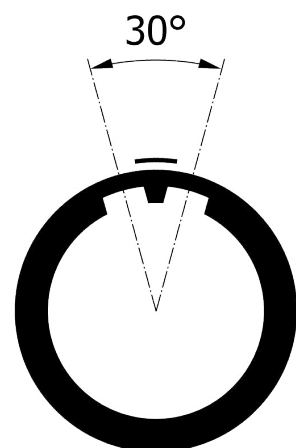
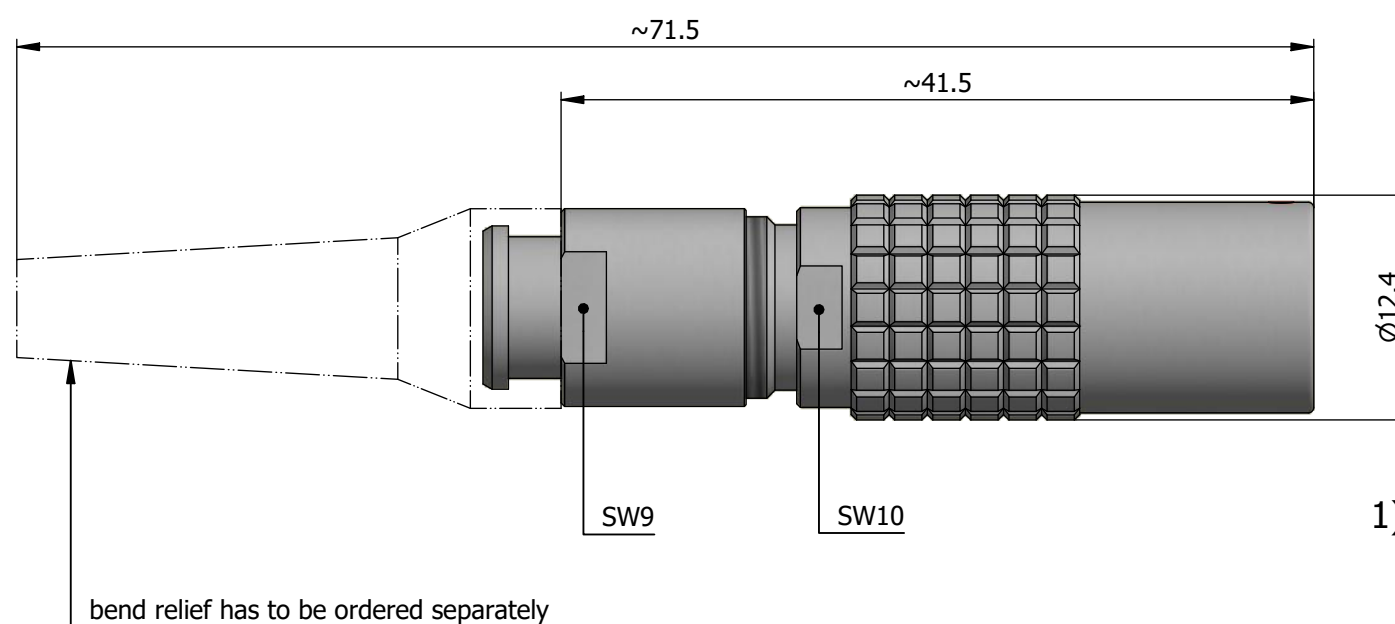
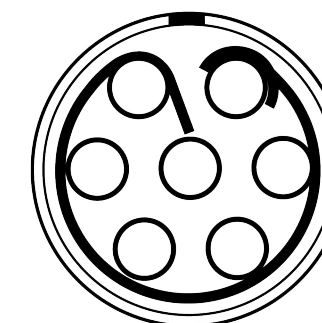


All dimensions are in millimeters (mm)

Alignment Key
Front View



Insert Configuration
Rear View



Note:

1) This picture is generic and for illustrative purposes only, and may show different keying, materials, colour, finish, and contact configuration. Minor shape or feature variations to actual item may be present.

All additional information are documented on the datasheet (See below link or QR Code)
www.lemo.com/pdf/PHA.1B.307.CLLD42Z.pdf

Model	Alignment Key	Series	Insert Config.	Housing	Insulator	Contact	Collet Type	Cable Ø	Variant
PHA	.1B	.307	.CLLD	42Z					

	Free socket, cable collet and nut for fitting a bend relief Series 1B		Drawn 28.05.2014 OVU / JPBA
			Checked 07.07.2022 OBAR
			Modified 01 07.07.2022 / MARI
			DO NOT SCALE DRAWING
	LEMO SA Chemin des Champs-Courbes 28 1024 Ecublens - SWITZERLAND	Tel. (+41 21) 695 16 00 email : info@lemo.com www.lemo.com	CD

PHA.1B.307.CLLD42Z